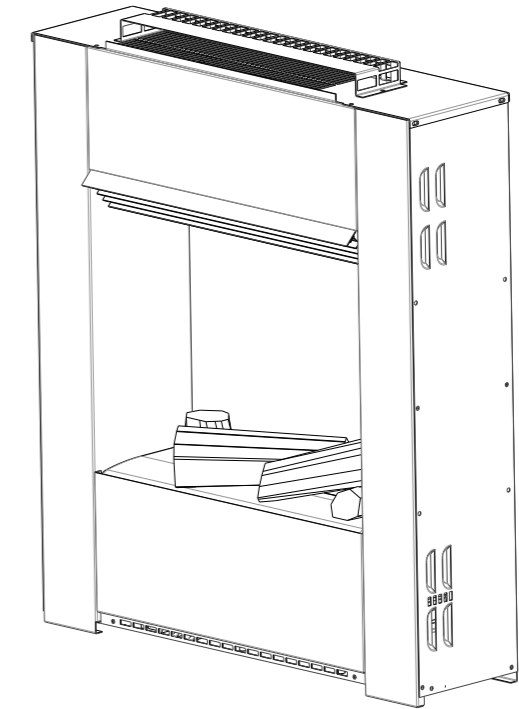
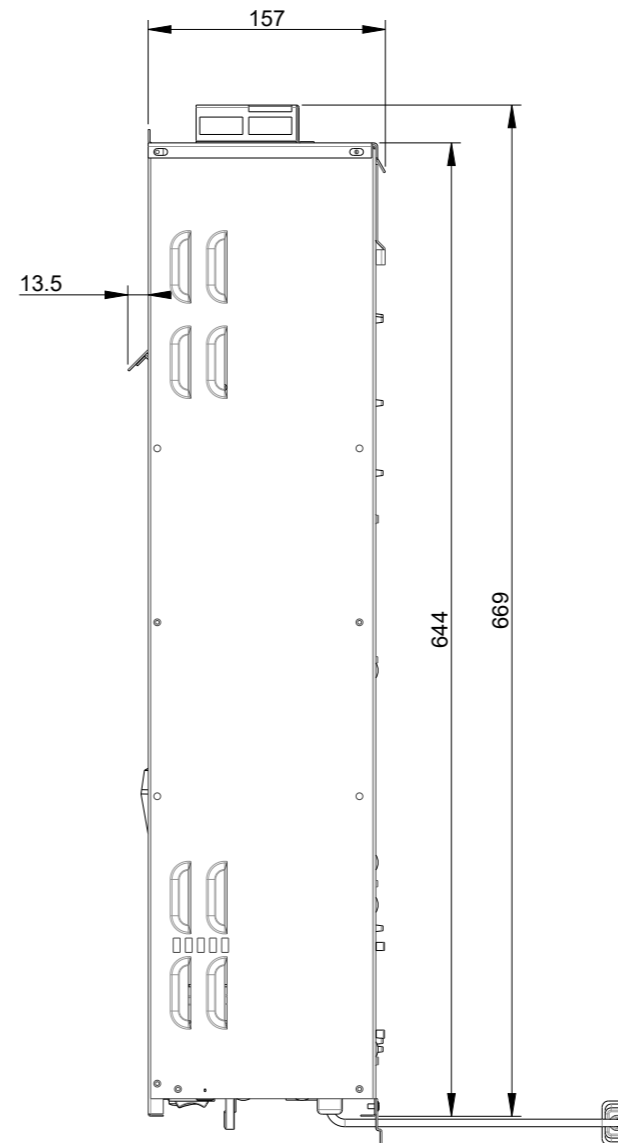


SCALE 0.200



SCALE 0.125

ISSUE	MODIFICATIONS	OCN	APPD	DATE	NOTES
1	RELEASE FOR PRODUCTION	----	HC	29-11-17	
2	AIR INLET COVER BRACKET ADDED	10859	HC	25-01-18	

DO NOT SCALE
IF IN DOUBT ASK

THIRD ANGLE PROJECTION

GLEN DIMPLEX RESEARCH & DEVELOPMENT
Dunleer, Co.Louth, Ireland. Tel: ++353(0)41 6872200. Fax: ++353(0)41 6851464.

DRAWN BY HC	DATE 18-09-17	SCALE	HOLE TOL +/-0.05	GEN TOL 0 +/-0,4
APP'D BY	DATE	DIM IN mm	ANGLES +/-0.5°	0,0 +/-0,2 0,00+/-0,1

MATERIAL
SEE INDIVIDUAL PARTS

FINISH
SEE INDIVIDUAL PARTS

R.o.H.S. compliant
All materials must comply with the requirements of European Directive 2011/65/EU on the restriction of the use of certain hazardous substances

THIS DRAWING IS SUPPLIED IN CONFIDENCE AND THE COPYRIGHT THEREOF IS THE PROPERTY OF GLEN DIMPLEX: IT MUST NOT BE USED BY A THIRD PARTY WITHOUT PRIOR PERMISSION. ©2017

PROJECT OPTIMYST WALL FIRE ECO

TITLE
ASSEMBLY

NO. OFF:

DRG NO
7/20482/0

A3
Sht 1
of 2

