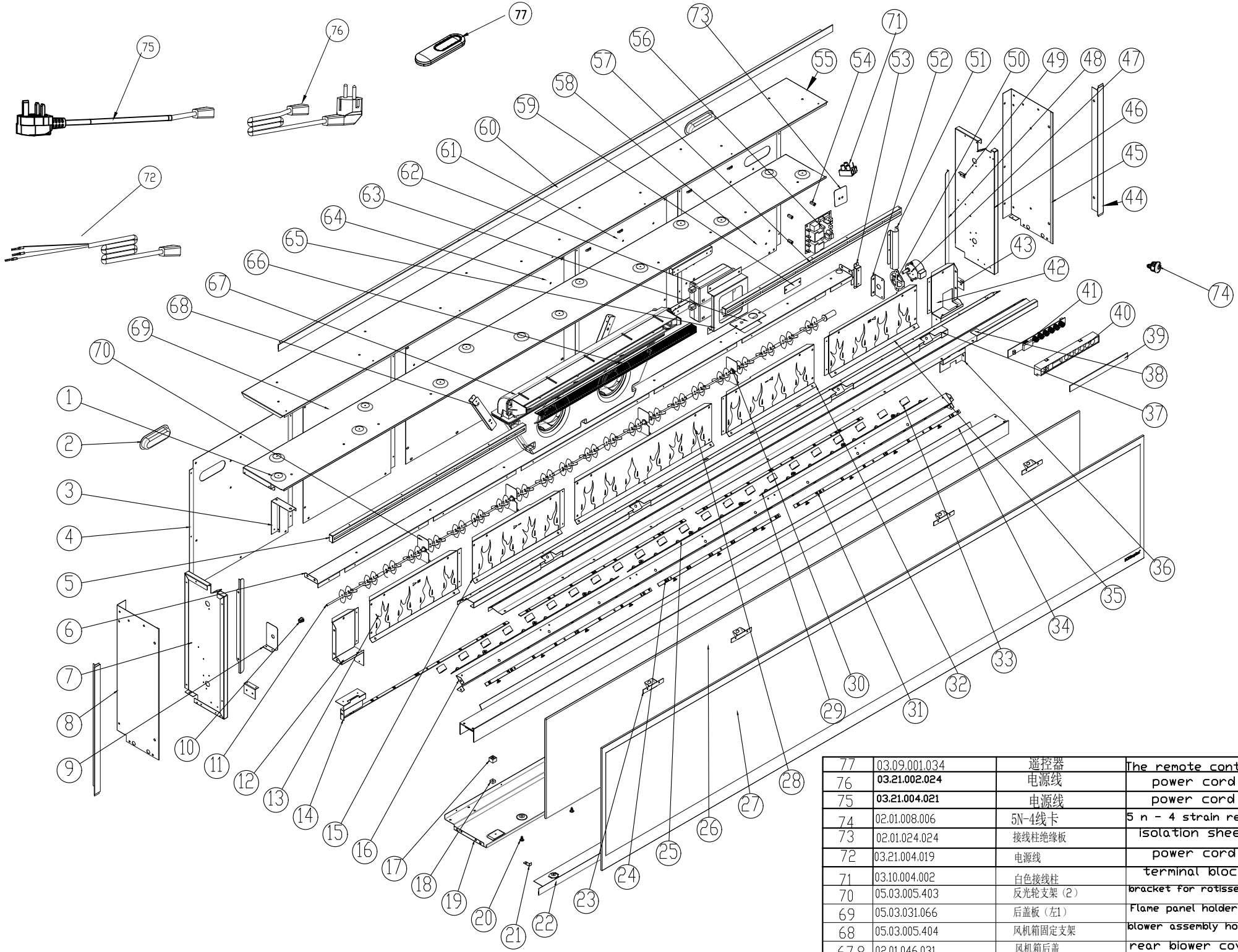
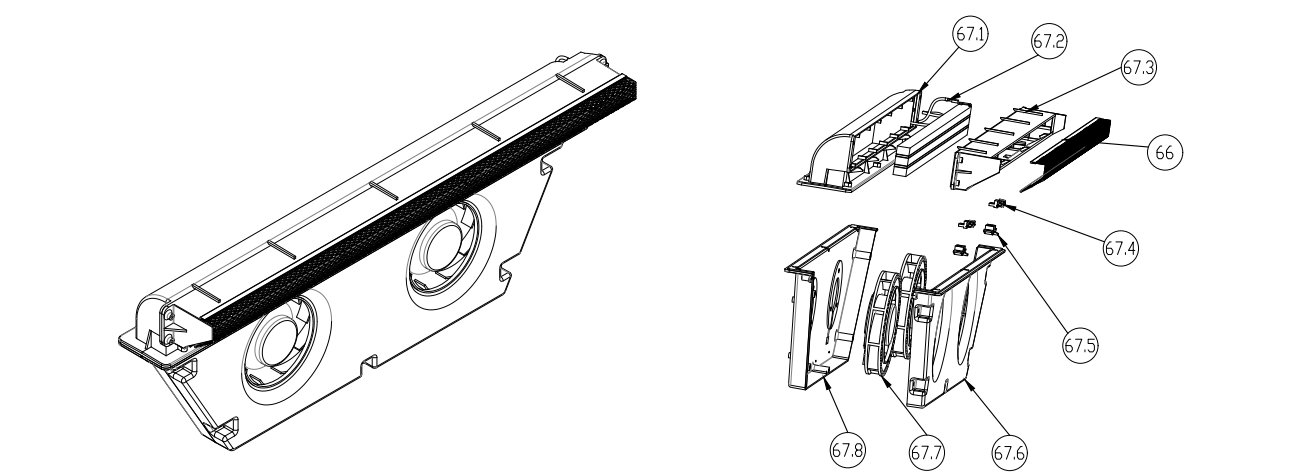


LET标记	ECN文件修改号	BY修改人	DATE日期	REVISION 修改记录



57	05.03.028.011	右进风板	Right grill	1
56	03.08.002.066	主控板	control board	1
55	05.03.003.097	顶板	top panel	1
54	02.01.009.003	六角隔离柱H=13	standby	4
53	05.03.005.407	同步电机固定支架	bracket for flicker motor	1
52	05.03.005.401	同步电机支架	bracket for flicker motor	1
51	05.03.099.020	进线管道	cord tube	1
50	02.02.002.003	同步电机防震垫片	rubber gasket	1
49	05.03.005.423	支架	bracket	1
48	05.03.021.073	幕玻左右直挡	mirror rail	2
47	03.01.001.111	三线同步电机	flicker motor	1
46	05.03.015.125	右内侧板	right inner side panel	1
45	05.03.015.127	右外侧板	right side panel	1
44	05.03.021.072	面框左右直挡	left right trim	2
43	05.03.005.405	炭床左右支架	bracket for fuel bed	2
42	05.03.005.396	幕玻右支架	Rightbracket for mirror	1
41	03.08.006.023	显示板	Display board	1
40	02.01.046.030	开关盒	display board holder	1
39	04.02.001.154	控制面板	touch panel	1
38	05.03.023.062	幕玻上挡板	top holder mirror 1	1
37	05.03.020.110	幕玻上横档	top holder mirror 2	1
36	05.03.005.398	幕玻右固定支架	right holder for mirror	1
35	05.03.032.014	火焰板(右2)	Flame panel(right 2)	1
34	02.04.023.002	XL74透明炭床	fuel beal	1
33	02.01.027.013	LED灯罩	LED cover	22
32	05.03.032.009	火焰板(右1)	Flame panel(right 1)	1
31	03.18.004.014	RGB灯条(8灯)	RGB strip	5
30	02.01.016.006	φ9 护线圈	φ9 rubberg romnets	4
29	03.18.004.023	LED灯条(8灯)	LED strip(8leds)	2
28	05.03.032.008	火焰板(中)	Flame panel (middle)	1
27	04.02.001.113	面玻	front glass	1
26	04.01.001.145	幕玻	mirror	1
25	03.18.004.022	LED灯条(6灯)	LED strip(6leds)	1
24	03.18.004.009	RGB灯条(6灯)	RGB strip	1
23	05.03.005.406	面玻固定支架	bracket for front glass	4
22	05.03.020.113	面框下横档	Bottom trim	1
21	05.03.005.424	支架1	bracket 1	4
20	02.01.009.001	BLF50开关固定销	pin	32
19	05.03.001.174	XL74-EU底板	base panel	1
18	03.13.001.002	磁钢	Magnetic steel	1
17	02.01.038.016	磁钢支架	Magnetic steel bracket	1
16	05.03.005.412	LED灯支架	LED bracket	1
15	05.03.032.010	火焰板(左1)	Flame panel (left 1)	1
14	05.03.005.397	幕玻左固定支架	left holder for mirror	1
13	05.03.032.013	火焰板(左2)	Flame panel (left 2)	1
12	05.03.005.395	幕玻左支架	left bracket for mirror	1
11	06.10.001.006	反光轮轴组件	Rotisseries assembly	1
10	02.01.007.001	反光轮轴套	connector for rotisserie	1
9	05.03.005.402	反光轮支架(1)	bracket for rotisseries	1
8	05.03.015.126	左外侧板	left side panel	1
7	05.03.015.124	左内侧板	Left inner side panel	1
6	05.03.006.126	火焰板固定板	Flame panel holder	1
5	05.03.028.010	左进风板	left air grill	1
4	05.03.031.062	后盖板(左)	Flame panel holder	1
3	05.03.005.422	NTC支架	NTC bracket	1
2	02.01.003.006	挖手	handle	2
1	05.03.003.096	内顶板	inner top panel	1

77	03.09.001.034	遥控器	The remote control	1
76	03.21.002.024	电源线	power cord	1
75	03.21.004.021	电源线	power cord	1
74	02.01.008.006	5N-4线卡	5 n - 4 strain relief	1
73	02.01.024.024	接线柱绝缘板	isolation sheet	1
72	03.21.004.019	电源线	power cord	1
71	03.10.004.002	白色接线柱	terminal block	0.334
70	05.03.005.403	反光轮支架(2)	bracket for rotisseries	4
69	05.03.031.066	后盖板(左1)	Flame panel holder (1)	1
68	05.03.005.404	风机箱固定支架	blower assembly holder	4
67.8	02.01.046.031	风机箱后盖	rear blower cover	1
67.7	06.02.001.061	离心风机	blower	2
67.6	02.01.046.032	风机箱前盖	front blower cover	1
67.5	02.01.038.015	热保固定支架	cutout bracket	2
67.4	03.07.009.001	热保	cutout	2
67.3	02.01.048.038	出风口	air outlet grill	1
67.2	06.03.001.069	PTC发热体	heating element	1
67.1	02.01.048.039	出风口连接件	air outlet grill holder	1
67	06.02.001.075	风机发热体组件	element assembly	1
66	05.04.028.023	出风口网罩总成	air outlet grill assembly	1
65	05.03.005.421	适配器支架	bracket for power supply	1
64	05.03.031.063	后盖板(中)	Back panel (middle)	1
63	05.03.017.025	进线板	cord sef	1
62	03.20.002.037	ETL六级3A适配器	power supply	2
61	05.03.031.065	后盖板(右1)	Back panel (right 1)	1
60	05.03.020.112	面框上横档	Top trim	1
59	03.08.007.001	转接板	Adapter board	1
58	05.03.031.061	后盖板(右)	Back panel (right)	1



ITEM 序号	Part No. 零件图号	Description 零件名称	Description 英文名称	QTY 数量
MATERIAL 材料		浙江富途佳电子科技有限公司 ZHEJIANG FUERJ ELECTRIC SCIENCE & TECHNOLOGY CO.,LTD.		
DRAWN 设计		王兵2019-1-4		
CHECKED 审核		PROCEED FROM		
APPROVED 审批		LF74-EU		
SIGN 签字/DATE日期		Part Name 零件名称	爆炸图	REV. 版本号 04
Scale 比例	N.W. 重量	Drawing No. 图号	210289	1 SHEET/OF 1