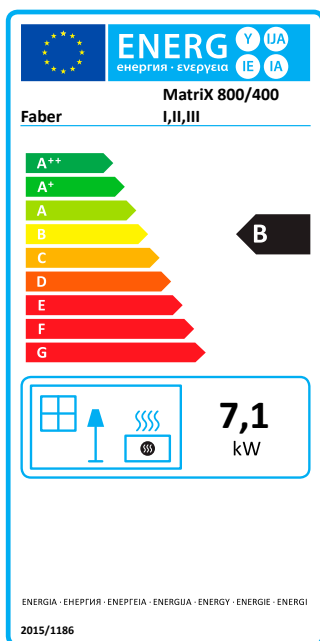
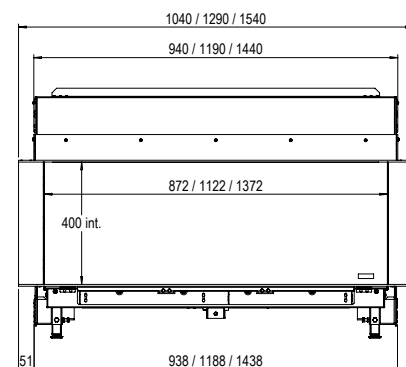
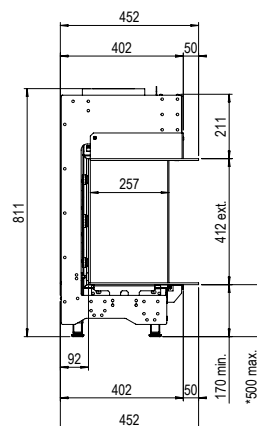
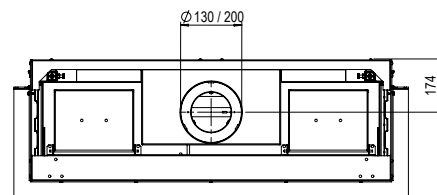


LINEAR FIRE

MatriX | 800/400 III



Specifications MatriX 800/400 III

| | |
|------------------------------------|---|
| Type | Built-in |
| Model | Three-sided model |
| Exterior dimensions WxHxD in mm | 1040 x 811 x 452 |
| Fire display WxHxD in mm | 872 x 400 x 257 |
| System | Double Line Burner |
| Decoration | Log set or Carrara pebbles or Grey split stones |
| Back walls | Smooth steel |
| Remote | ITC remote |
| Power (kW) | 7,1 |
| Operating system | Honeywell |
| Energy label | B |

DECORATION OPTIONS



OPTIONS

- Glass back wall black
- Anti-reflective glass
- Wall bracket
- Adjustable legs

Depth frame 100mm will be available again in 2021. Faber will inform you when the frame becomes available in due course.

There is **so much to tell...**

For more information, please take a look at the website

www.faberfires.com