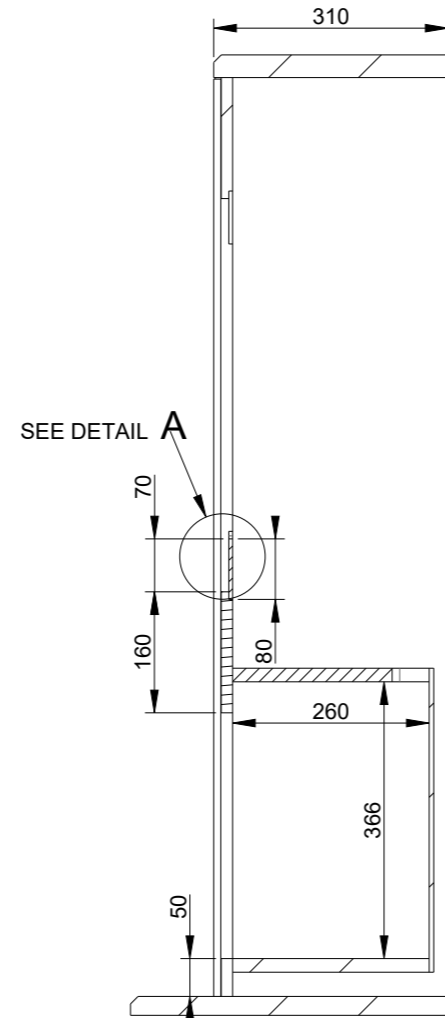
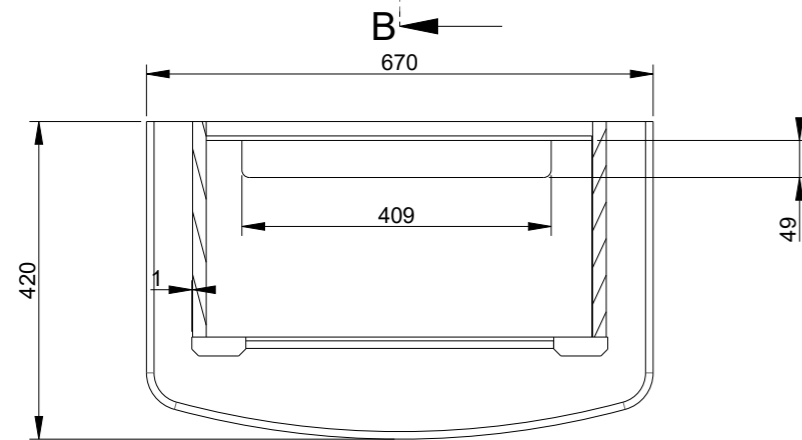
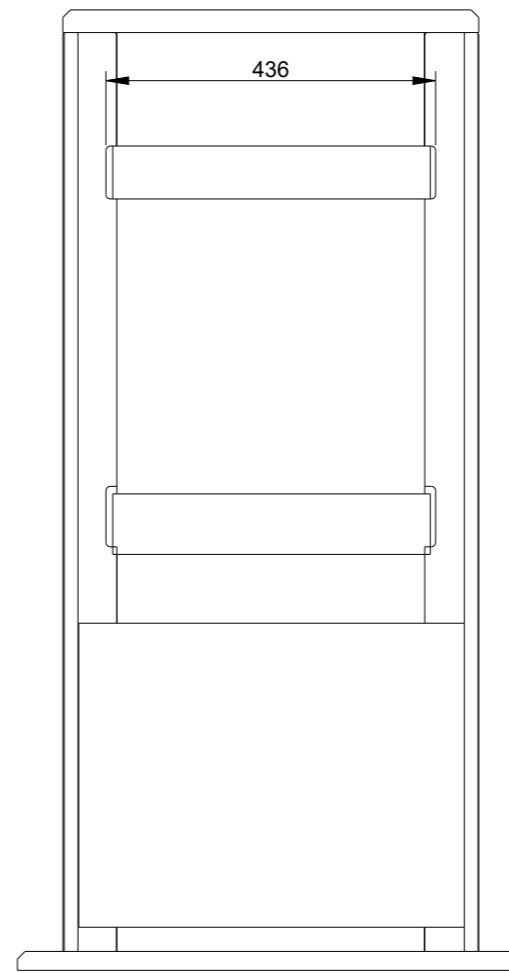


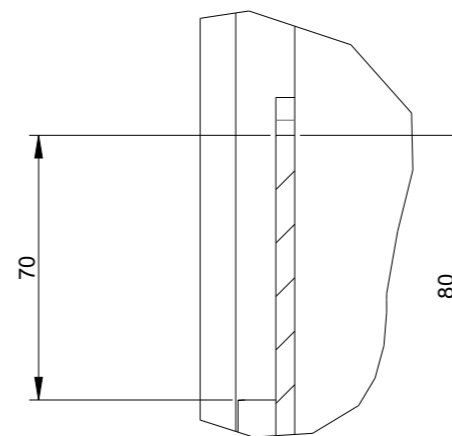
SCALE 0.100



SECTION B-B



SECTION A-A



DETAIL A  
SCALE 0.500



ISSUE	MODIFICATIONS	OCN	APPD	DATE	NOTES
1	Production release.				
2	Glass shown in Detail A was increased from 70mm to 80mm to fix gap between top of glass and bottom of plastic frame on 400 Module. Suite side trims were also modified to allow for change in height of the glass.	11483	D.Kiely	21/12/20	
3	Opening 407mm ±1 was 404mm.	11787	D.Kiely	22/12/21	

DO NOT SCALE  
IF IN DOUBT ASK

THIRD ANGLE PROJECTION

**GLEN DIMPLEX** RESEARCH & DEVELOPMENT  
Dunleer, Co.Louth, Ireland. Tel: 041 9800204. Fax: 041 6851464.

DRAWN BY R.Kelly	DATE	SCALE	HOLE TOL +/-0.05	GEN TOL 0 +/-0,4
APP'D BY	DATE	DIM IN mm	ANGLES +/-0.5°	0,0 +/-0,2 0,00+/-0,1

MATERIAL Please see notes  
FINISH Please see notes

R.o.H.S.  
All material must comply with the requirements of European Directive 2002/95/EC on the restriction of the use of certain hazardous substances.

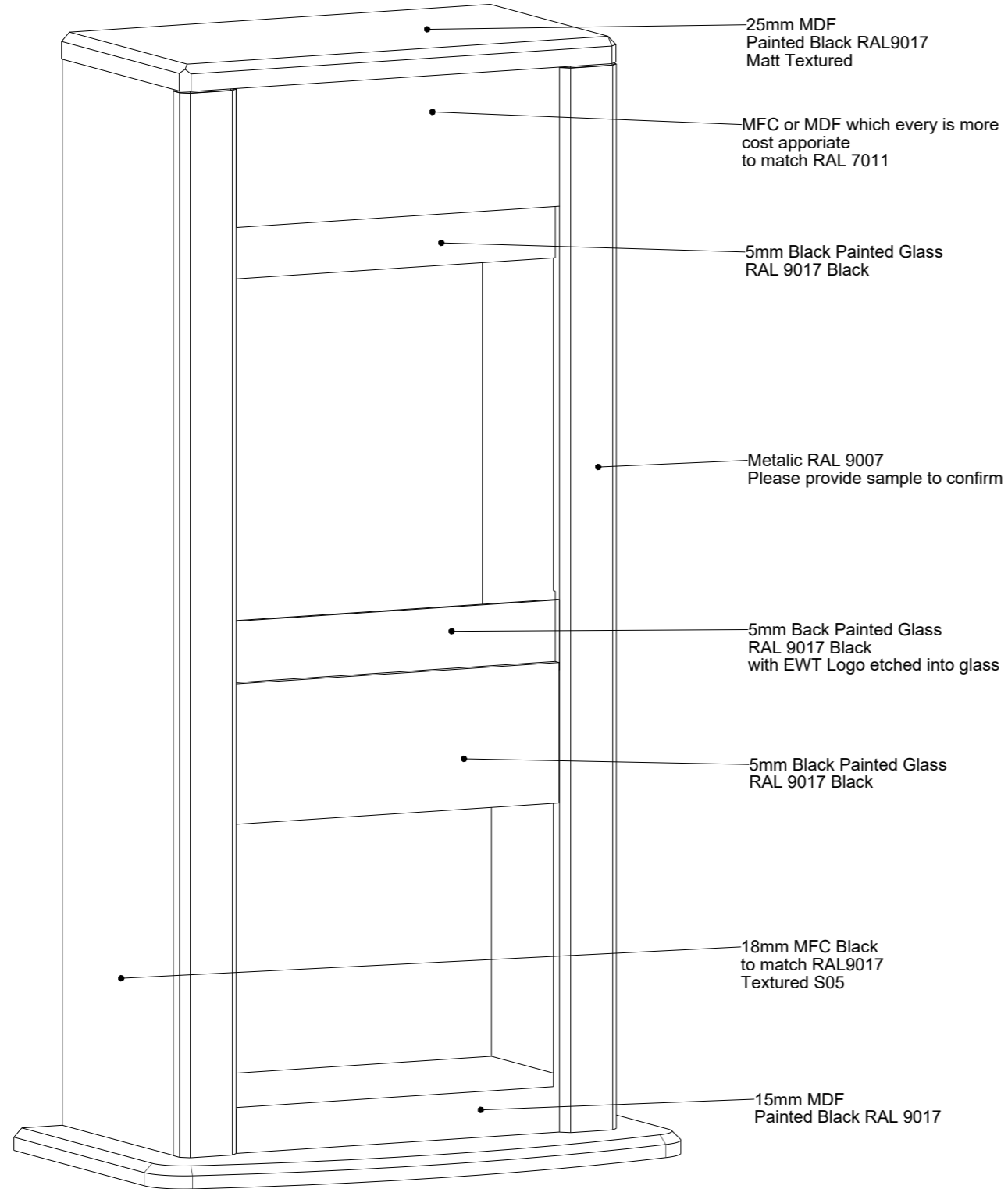
THIS DRAWING IS SUPPLIED IN CONFIDENCE AND THE COPYRIGHT THEREOF IS THE PROPERTY OF GLEN DIMPLEX: IT MUST NOT BE USED BY A THIRD PARTY WITHOUT PRIOR PERMISSION. © 2014

PROJECT IMM 2015

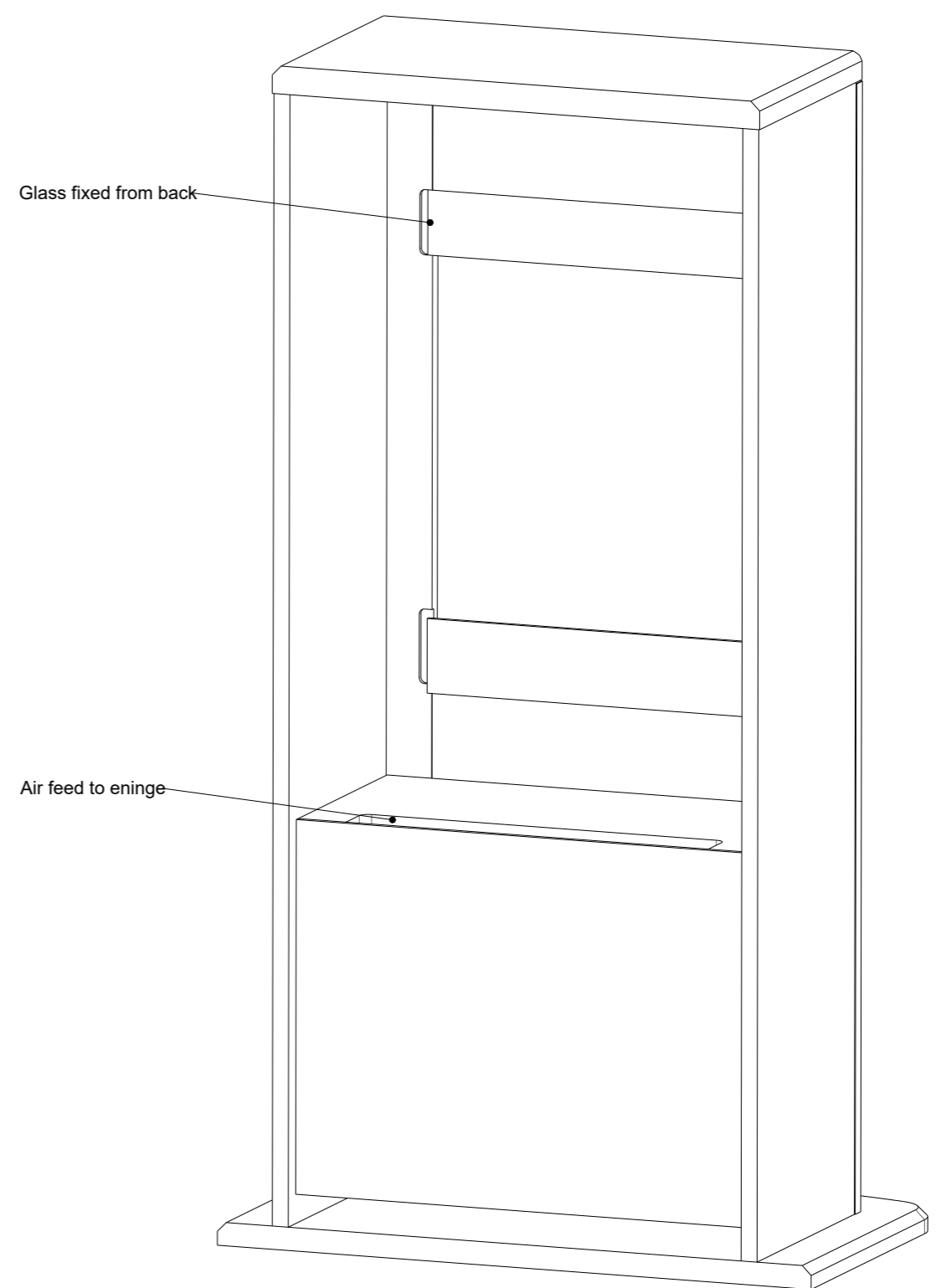
TITLE Cubic

DRG NO 4/19706/0

NO. OFF: A3  
Sht 1 of 2



SCALE 0.150



SCALE 0.150

ISSUE	MODIFICATIONS	OCN	APPD	DATE	NOTES	<b>GLEN DIMPLEX RESEARCH &amp; DEVELOPMENT</b> Dunleer, Co.Louth, Ireland. Tel: 041 9800204. Fax: 041 6851464.				THIS DRAWING IS SUPPLIED IN CONFIDENCE AND THE COPYRIGHT THEREOF IS THE PROPERTY OF GLEN DIMPLEX: IT MUST NOT BE USED BY A THIRD PARTY WITHOUT PRIOR PERMISSION. © 2014			
					Please include Engine 56-400 (engine used in Moorefield) in the price. Product does not require FSC	DRAWN BY R.Kelly	DATE 15/10/2014	SCALE	HOLE TOL +/-0.05	GEN TOL 0 +/-0,4	PROJECT <b>IMM 2015</b>		
						APP'D BY	DATE	DIM IN mm	ANGLES +/-0.5°	0,0 +/-0,2 0,00+/-0,1	TITLE <b>Cubic</b>		
											NO. OFF:		
						<b>DO NOT SCALE</b> <b>IF IN DOUBT ASK</b>		<b>THIRD ANGLE PROJECTION</b>		MATERIAL Please see notes	R.o.H.S. All material must comply with the requirements of European Directive 2002/95/EC on the restriction of the use of certain hazardous substances.	DRG NO <b>4/19706/0</b>	<b>A3</b>
								FINISH Please see notes				Sht 2 of 2	