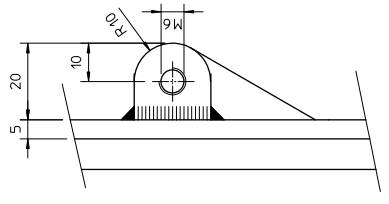
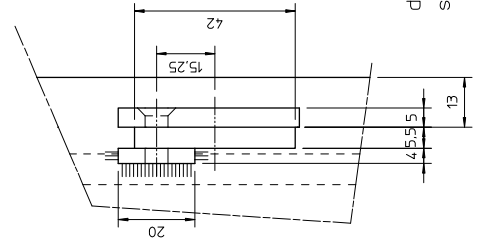


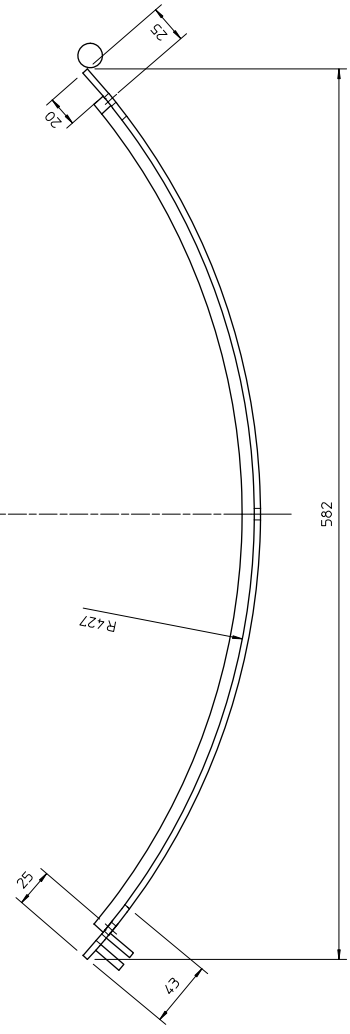
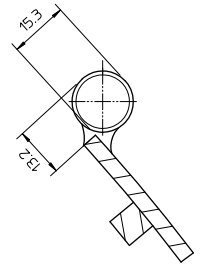
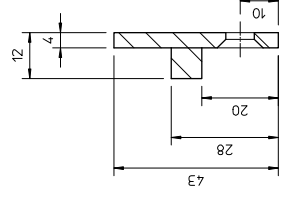
Gill weldings Tig



detail B
scale 1:1



section A-A
scale 1:1



Tol. +0.5 when not specified	Dimensions tolerances according to NEN-ISO 406	Geometric tolerances according to NEN-ISO 1101	projection
Note:	Scale: 1 : 2.5	Name: B.A.	
Part No. 202514.00/10	Checked: R. de J.	Date: 28-01-1998	
Description: door Alborig	Material: pickled steel 4mm		
No. 23-09-1997	Modification:		
faber P.O. box 753 NL - 8901 BN Leeuwarden Tel. +31(0)58-2849999 Fax: +31(0)58-2884441			