

Dimplex



3 Step E

EN PL PT ES SE TR

EN : This product is only suitable for well insulated rooms or occasional use. DE : Dieses Produkt ist nur für gut isolierte Bereiche oder gelegentliche Verwendung geeignet. FR : Ce produit convient uniquement à des endroits bien isolés ou pour un usage occasionnel. IT : Questo prodotto è adatto solo per spazi ben isolati o per uso occasionale. ES : Este producto sólo es adecuado para espacios bien aislados o un uso ocasional. NL : Dit product is uitsluitend geschikt voor goed geïsoleerde ruimten of voor sporadisch gebruik. PL : Produkt ten jest odpowiedni wyłącznie do dobrze odizolowanych miejsc lub do okazjonalnego użytku. NO : Dette produktet egner seg kun for godt isolerte rom eller sporadisk bruk. RO : Acest produs este adecvat exclusiv spațiilor bine ventilate sau utilizării ocazionale. CZ : Tento výrobek je vhodný pouze do dobře izolovaných prostor nebo k příležitostnému použití. DK : Dette produkt er kun egnet til velisolerede rum eller lejlighedsvis brug. PT : Este produto somente é adequado para espaços bem isolados ou uso ocasional. SE : Denna produkt är endast avsedd för välisolerade utrymnen eller tillfällig användning. FI : Tämä tuote soveltuu ainoastaan hyvin eristettyihin tiloihin tai satunnaiseen käyttöön. SK : Tento výrobok je vhodný len pre dobre izolované priestory alebo na občasné použitie. SI : Ta izdelek je primeren le za dobro izolirane prostore ali za občasno uporabo. HR : Ovaj proizvod je pogodan samo za dobro izolirane prostore ili povremenu upotrebu. HU : Ez a termék csak jól szigetelt terekhez vagy eseti használatra alkalmas.



This product complies with all the required Product Safety, Electromagnetic Compatibility and Environmental Standards. This product is fully compliant with the LVD, EMC, RoHS and Eco Design Directives.

| | |
|----------|----|
| EN | 1 |
| PL..... | 11 |
| PT | 21 |
| ES | 31 |
| SE | 41 |
| TR | 51 |

IMPORTANT: THESE INSTRUCTIONS SHOULD BE READ CAREFULLY AND RETAINED FOR FUTURE REFERENCE

When using electrical appliances, basic precautions should always be followed to reduce the risk of fire, electrical shock and injury to persons, including the following:

If the appliance is damaged, check with the supplier before installation and operation.

Do not use outdoors.

Do not use in the immediate surroundings of a bath, shower or swimming pool.

Do not locate the appliance immediately below a fixed socket outlet or connection box.

This appliance can be used by children aged from 8 years and above and persons with reduced physical, sensory or mental capabilities or lack of experience and knowledge if they have been given supervision or instruction concerning use of the appliance in a safe way and understand the hazards involved. Children shall not play with the appliance. Cleaning and user maintenance shall not be made by Children without supervision.

Children of less than 3 years should be kept away unless continuously supervised. Children aged from 3 years and less than 8 years shall only switch on/off the appliance provided that it has been placed or installed in its intended normal operating position and they have been given supervision or instruction concerning use of the appliance in a safe way and understanding the hazards involved. Children aged from 3 years and less than 8 years shall not plug in, regulate and clean the appliance or perform user maintenance.

Do not use this appliance in series with a thermal control, a program controller, a timer or any other device that switches on the heat automatically, since a fire risk exists when the appliance is accidentally covered or displaced.

This appliance is not equipped with a device to control the room temperature. Do not use this appliance in small rooms when they are occupied by persons not capable of leaving the room on their own, unless constant supervision is provided.

Ensure that furniture, curtains or other combustible material are positioned no closer than 1 metre from the appliance.

In the event of a fault unplug the appliance.

Unplug the appliance when not required for long periods.

Although this appliance complies with safety standards, we do not recommend its use on deep pile carpets or on long hair type of rugs.

The appliance must be positioned so that the plug is accessible.

If the supply cord is damaged it must be replaced by the manufacturer or service agent or a similarly qualified person in order to avoid a hazard.

Keep the supply cord away from the front of the appliance.

Warning: In order to avoid overheating, do not cover the appliance. Do not place material or garments on the appliance, or obstruct the air circulation around the appliance, for instance by curtains or furniture, as this could cause overheating and a fire risk.

Warning: In order to avoid a hazard due to inadvertent resetting of the thermal cut-out, this appliance must not be supplied through an external switching device, such as a timer, or connected to a circuit that is regularly switched on and off by the utility.

CAUTION - Some parts of this product can become very hot and cause burns. Particular attention has to be given where children and vulnerable people are present.

General Information

Unpack the heater carefully and retain the packaging for possible future use, in the event of moving or returning the fire to your supplier. The Remote Control, batteries and lamps are packed separately in the carton. The fire incorporates a flame effect, which can be used with or without heating, so that the comforting effect may be enjoyed at any time of the year. Using the flame effect on its own only requires little electricity.

Before connecting the heater check that the supply voltage is the same as that stated on the heater.

Please note: Used in an environment where background noise is very low, it may be possible to hear a sound which is related to the operation of the flame effect. This is normal and should not be a cause for concern.

Electrical connection.

WARNING – THIS APPLIANCE MUST BE EARTHED.

This heater must be used on an AC ~ supply only and the voltage marked on the heater must correspond to the supply voltage.

Before switching on, please read the safety warnings and operating instructions.

PLEASE RETAIN THIS USER'S GUIDE FOR FUTURE REFERENCE

Do not put Opti-myst plastic components into a dishwasher.

Only slide out the drawer when the water tank needs to be filled or a lamp needs to be changed otherwise you will inadvertently alter the water level and the flame effect operation.

Only use tap water in this appliance with a maximum hardness of 10 dH.

Always ensure that the appliance is sitting on a level floor.

If you intend not using the appliance for longer than a week, drain the water from sump and water tank and dry the sump.

Once installed, never move this appliance or lay on its back, without draining the water from sump and water tank.

The water tank, sump, sump lid, tank cap and air filters must be cleaned once every week, particularly in hard water areas.

The appliance should never be operated if the lamps are not working.

The lamps should be regularly inspected as described under 'Maintenance' and 'Changing Lamps'.

Technical Information

Model No: 3 Step E

| Heat Output | | 230V | 240V | |
|-----------------------------------|------------------|------|------|----|
| Nominal Heat Output | P_{Nom} | 0.9 | 1.0 | kW |
| Minimum Heat Output | P_{min} | 0.9 | 1.0 | kW |
| Maximum Continuous Heat Output | P_{max} | 0.9 | 1.0 | kW |
| Auxiliary Electricity Consumption | | | | |
| In Standby Mode | P_{Nom} | 0.87 | 0.93 | W |

electronic room temperature control plus week timer

Installation Instructions

The 3-Step can be changed to suit 3 styles, the Tripple (3 side glass), the Duet (2side glass) and the Relax (front glass only). The product comes already comes as a Relax. To change between models fix the suction cups to the front glass and lift the glass upwards and then down and away from the product see fig 3a. Remove the rubber cord on the inside of the side glass at the bottom and top. Slide the side metal plate and side glass out together see fig 3b. Separate the side glass and slide it back into place. Use the larger rubber cord to fix the side glass in place found in the instruction pack. Replace the front glass by repeating the steps above in reverse. Use the suction cups to adjust the side glass so that you have a both the front and side glass fitting correctly. Ensure that there is a gap of 300mm between the top of the fire and the underside of any shelf. **Wall Mounting:** Build a platform for the unit to stand on. Using the dimensions in Fig1 mount the wall brace supplier level and in a desired position on to the wall by using 4 appropriate fixings for your wall. With two persons hold the fire by the sides and gently manoeuvre into position and suspend the fire from the wall brace. Under the appliance there are four adjustable supports provided for levelling, where the base of the fireplace opening is raised above the level of the platform. When building a front fascia ensure that there is an opening at the front for air to get into the product, see Fig21. This is essential for the flame effect. Also ensure that there is venting at the top of the product, this is essential for the heater to function correctly, see Fig20.

Before installing this appliance, we recommend that;

1. Choose which style of 3-step you require and make the required adjustment to the appliance
2. You have your chimney cleaned by a competent chimney sweep.
3. You block off the chimney flue.

This procedure is important for the efficient operation of the heating unit and will also reduce heat loss up the chimney.

Installation.

Ensure that all packing items are removed (read any warning labels carefully).

Retain all packing for possible future use, in the event of moving or returning the appliance to your supplier.

You are now ready to install the electric fire. Make sure the unit is switched **OFF**.

Using the correct fixings for your wall fix the wall bracket to the wall. Plug the fire into a 13amp/240 volt outlet. Ensure that the supply cable exits at the front of the fire, at the right or left hand corner to suit your supply socket location and is not trapped under the fire such that it might cause it to be damaged.

Before using the manual controls firstly fill the water tank (See 'Maintenance', 'Filling the water tank').

Operating the Fire

WARNING: FAILURE TO FOLLOW THESE OPERATING INSTRUCTIONS MAY RESULT IN INJURY AND/OR DAMAGE.


Manual Controls


The Opti-myst Manual controls are located on the base of the appliance.

(See Fig.2 for Manual Control layout)

Switch 'A':- Controls the electricity supply to the Fire.

Note: This switch must be in the 'ON' (I) position for the Fire to operate with or without heat when activated.

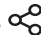
Switch 'B':- Press  once to turn on the flame effect. This will be indicated by an audible "beep". Although the main lights operate immediately it will take a further 45 seconds before the flame effect starts.

Press  to put fire into standby mode. This will be indicated by one "beep".

Remote Control

The remote control is packed with 2 AA batteries in a bag. Lift off the battery cover on the back of the remote control and insert the batteries taking note of the polarity.

The remote control has already been paired to your product during factory assembly. In the unlikely event that the remote control disconnects from the product, or you obtain a spare remote control, you will need to complete the pairing process:

1. With the product plugged in press switch A to the ON (I) position. You should hear an audible beep
2. Press and hold 'Button 6' until PAIR appears on the display
3. Bring the remote control close to the product where the receiver is . See Fig 3C
4. The product will start to beep and blink
5. Press 'Button 6' to complete the pairing process. The product will go into standby mode.

Switching on the appliance

Press and hold the ENTER button for 3 seconds to activate the remote control. FIRE will be displayed and ON will be blinking. Press ENTER to switch on the appliance. To turn off the appliance press MENU so that FIRE is blinking, press ENTER twice.

Adjust the Flame Setting

With the remote control activated press once. FIRE will be blinking on the display. Press ENTER. The current flame setting will be displayed F1-F6. Press the UP and DOWN buttons to adjust the setting. After you have selected your flame setting press BACK twice to exit the menu and return to the home screen.

Switching on the Heat

With the remote control activated press MENU once. FIRE will be blinking on the display. Press ADV once, HEAT will be blinking. Press ENTER. The current heat setting will be displayed OFF LO HI. Press the UP and DOWN buttons to adjust the setting. After you have selected your flame setting press ENTER

Setting the Thermostat

The temperature shown on the display is the room temperature set point. This is the temperature that the heater will maintain during the heating periods. If the room temperature is above this temperature then the heater will not operate. The heater leaves the factory with this temperature set at 15°C which represents a typical comfortable room temperature. If you require a different room temperature then press either up or down on the home screen until the display shows the temperature you require.

Thermal Safety Cut-out

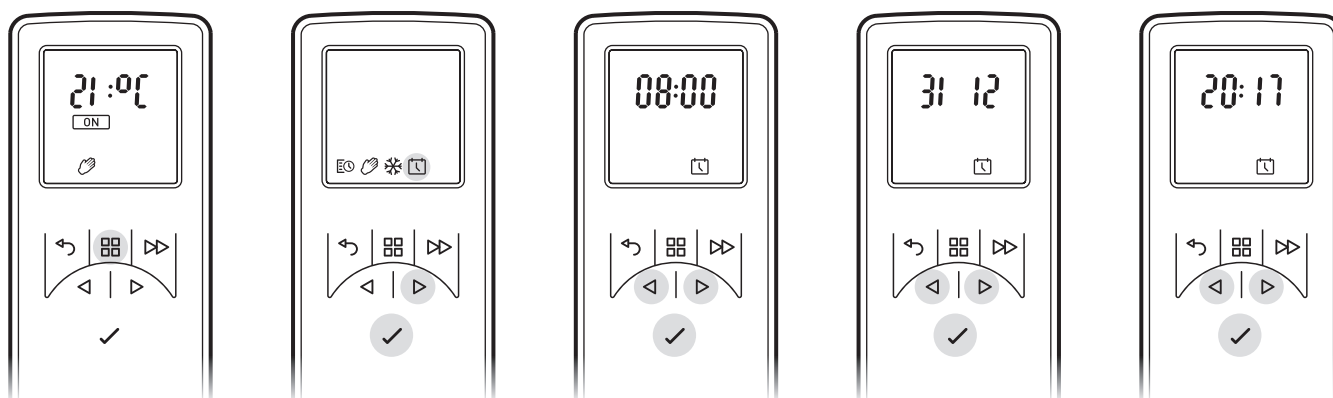
A thermal safety cut-out is incorporated in the fan heater to prevent damage due to overheating. This can happen if the heat outlet was restricted in any way. If the cut-out operates, unplug the heater from the socket outlet and allow approximately 10 minutes before reconnecting. Before switching the heater back on remove any obstruction that may be restricting the heat outlet, then continue normal operation.

CAUTION: In order to avoid a hazard due to inadvertent resetting of the thermal cutout, this appliance must not be supplied through an external switching device, such as a timer, or connected to a switch that is regularly switched on and off by the utility.

Setting the Date and Time

To set the date and time on the heater;

1. Press the Menu button
2. Press ^ button 4 times
3. Press Enter when the Date & Time icon is blinking
4. Press Enter to set Time
5. Press v and ^ to set the Hour, press Enter
6. Press v and ^ to set the Minutes, press Enter to confirm the time
7. Press v and ^ to set the Day, press Enter
8. Press v and ^ to set the Month, press Enter
9. Press v and ^ to set the Year, press Enter to confirm the date



Modes of Remote Operation

User Timer: Provides greatest flexibility to the user. Four times slots are available throughout the day and these can be customised for each day of the week. See "How to adjust the timer modes" for instructions on adjusting these from the factory default time periods & temperatures.

Manual Mode: This mode heats the room to the temperature you have set the remote control to.

Frost Protection: This mode will maintain a room temperature to 7°C. This mode should be used to provide protection against frost as indicated by the frost icon.

Choosing and Setting a Mode

User Timer - To re-programme the factory default Timer Modes:

1. Press Menu Button
 2. Press ^ once to the schedule Icon is blinking. Press Enter
 3. Press ^ Twice then press Enter
- *Days of the weeks are now displayed at the top of the screen*
- Day 1 = Monday
 - Day 2 = Tuesday
 - Day 3 = Wednesday
 - Day 4 = Thursday
 - Day 5 = Friday
 - Day 6 = Saturday
 - Day 7 = Sunday

4. Press Enter to Modify Day 1 or Press ^ to navigate to the desired day and Press Enter to Select
5. P1 will be displayed on screen
6. Press Enter to select P1, to navigate to P2, P3 or P4 press ^ and press Enter to select
7. ON will be highlighted, press Enter to set the on Time
8. Press v or ^ to adjust the on Hour time, press Enter to Confirm
9. Press v or ^ to adjust the on Minute time, press Enter to Confirm
10. Press v or ^ to adjust the Temperature setting, press Enter to Confirm
11. Press v or ^ to adjust the off Hour time, press Enter to Confirm
12. Press v or ^ to adjust the off Minute time, press Enter to Confirm

Press Enter to modify Programme P2, follow steps 5-12, Press ^ to skip to P3
 Press Enter to modify Programme P3, follow steps 5-12, Press ^ to Skip to P4
 Press Enter to modify Programme P4, follow steps 5-12

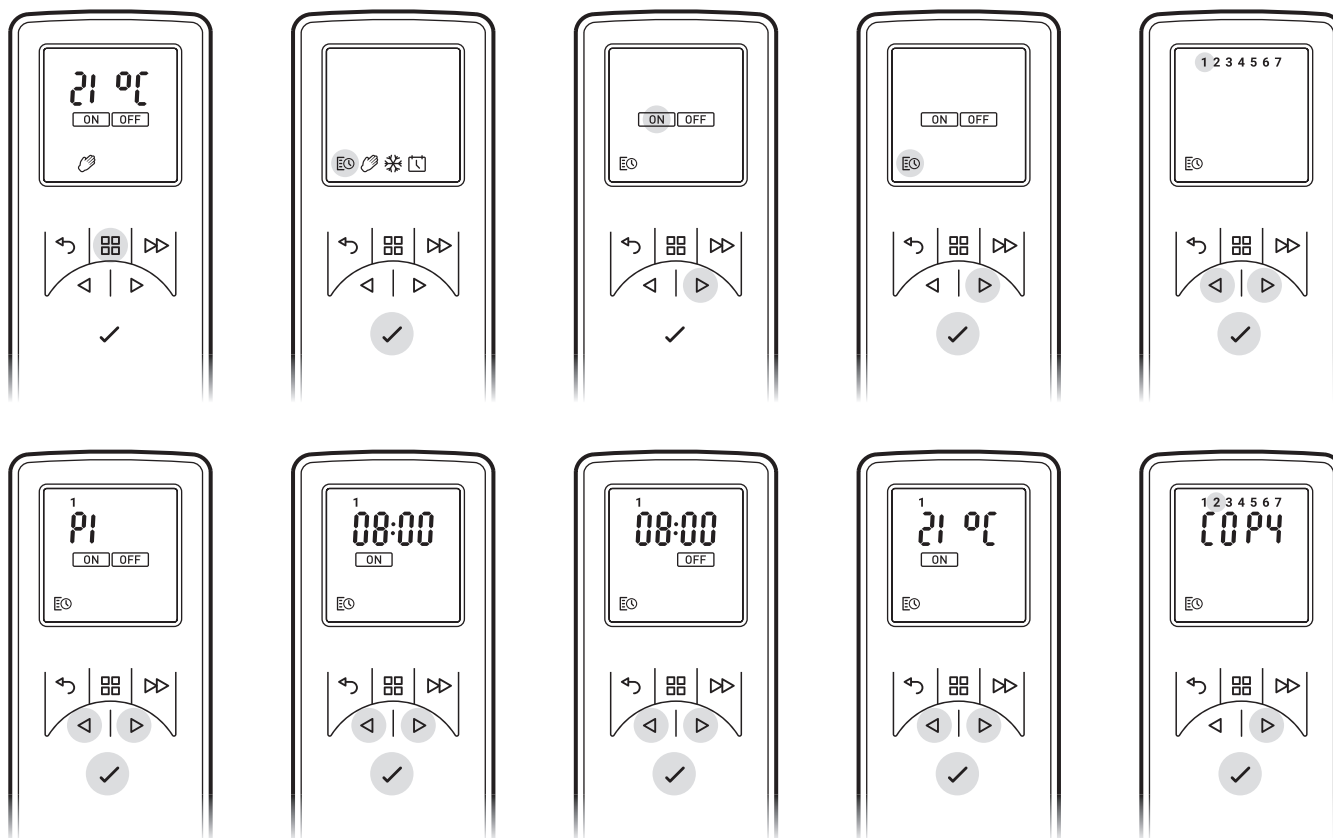
To copy newly programmed P1-P4 heating programmes to other days press the Enter button.

Copy will be displayed on screen

To copy to the next day in sequence, press ^ button. To deselect the next day in sequence press Enter button.

The days of the week that are selected will be displayed at the top of the screen. The days that have been deselected will not be visible (see Diagrams).

Press Enter to confirm, backlight will flash and return to home screen.

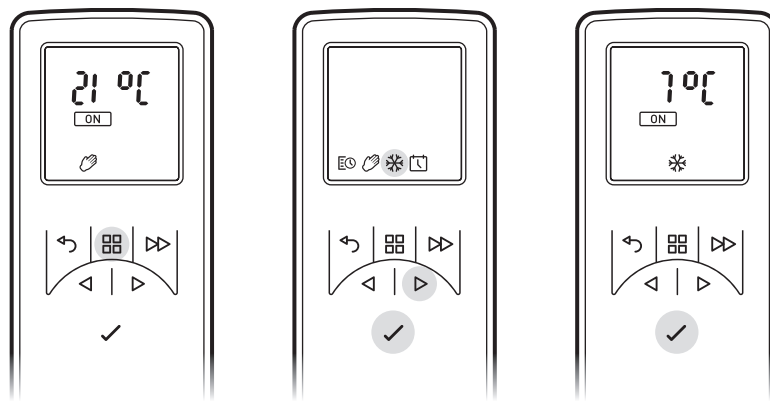


Manual Mode - To choose a constant heat mode. This mode ignores the User Timer and maintains the displayed temperature.

- Press Menu Button
- Press ^ twice to highlight the Hand icon
- Press Enter to Confirm
- Use v and ^ to adjust to the desired temperature

Frost protect - Frost protect mode maintains a room temperature of 7°C throughout a 24 hour period. This mode should be used to provide protection against frost as indicated by the Frost icon.

- Press the Menu button
- Press ^ three times to highlight the snowflake icon
- Press Enter to confirm
- Press v or ^ to exit this mode and enter manual mode.



Getting the Desired Flame Effect

1. Using the remote control press MENU, FIRE on the display will be flashing, press ENTER. The current setting will be displayed. Press ^ or v to toggle between F1 and F6. F1 being the lowest setting and F6 being the highest setting.
2. Generally the flames appear more realistic when the flame control is turned down.
3. Give the flame generator time to react to changes you may make.
4. The fire will use less water if the flame effect is set to a lower level.
5. Do not tilt or move the fire while there is water in the tank or sump.
6. Make sure that the fire is on a level floor.

Customising the display

The maximum temperature set point on the product is 32°C You have the option to reduce this set point. You can also change °C to °F

1. Press the Menu button.
2. Press the ADV button twice - SP will be blinking.
3. Press Enter to confirm.
4. Press v or ^ to choose between °C and °F.
5. Press Enter to confirm.
6. Press v or ^ to choose your maximum temperature set point.
7. Press Enter to confirm.
8. Press BACK three times to return to the home screen.

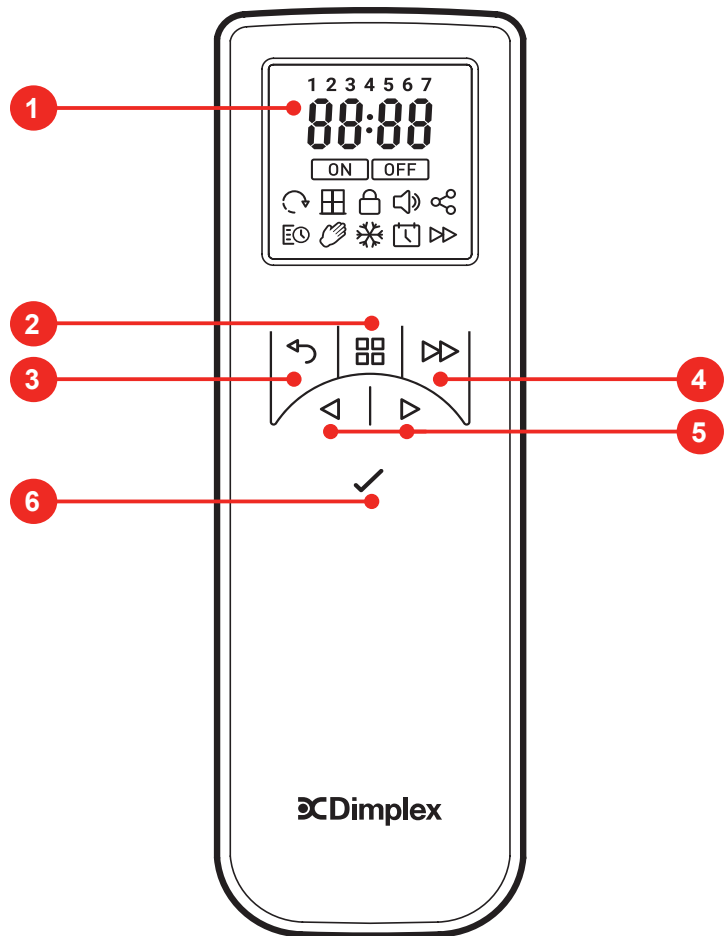
Adaptive Start

The built-in electronics in this appliance have a learning function with regards to how long it takes to heat up a room. Having learnt how quickly it can heat up your room, the appliance is able to turn on at just the right time in order to get the room up to a comfortable temperature when you want it. For example, if you get up at 7am, you would normally have to guess when to turn the heating on in order for it to pre-heat the room in time. Depending on how cold it is outside, this could mean the room is still cold when you have to get out of bed, or mean that its been warm for half an hour before it needed to be. Adaptive Start means that if you select 21°C at 7am, the heater will turn on exactly when it needs to in order to meet this target, running for shorter periods of time when the weather is mild, and ensuring the room is nice and warm in the winter.

The Adaptive Start function will automatically activate when you use the Timer Mode.

Remote Control

- 1 Display Screen
- 2 'Menu' Button
- 3 'Back' Button
- 4 'Advance' Button
- 5 'Up and Down' Arrows
- 6 'Enter' Button



WARNING: ALWAYS DISCONNECT FROM THE POWER SUPPLY BEFORE ATTEMPTING ANY MAINTENANCE

Fitting Replacement lamps.

If a large amount of the smoke appears grey or colourless it may be that one or more lamps have failed.

You can check for lamp failure as follows.

1. Leaving the flame effect on, gently pull the drawer fully out by the tab. (See Fig. 3)
2. View the lamps from a distance in front of the fire and observe which lamp needs to be changed.
3. Put Switch 'A' in the 'OFF' position, and unplug the fire from the mains.
4. Leave the appliance for 20 minutes to allow the lamps to cool down before removing them.
5. Remove the water tank by lifting upwards and place in a sink.
6. Remove the sump as described in the Cleaning Section.
7. Remove the defective lamp, by gently lifting vertically and disengaging the pins from the lamp holder, (See Fig.4 and 5). Replace with an original, 12V, 45w, Gu5.3 base, 8° beam angle, coloured lamp. Purchase the lamps from your supplier
8. Carefully insert the two pins of the new lamp into the two holes in the lamp holder. Push firmly in place. (See Fig. 4 and 5).
9. Replace the Sump and water tank and carefully close the drawer.
10. Switch on.

Filling the water tank.

When the water tank is empty, flame and smoke effect shuts off, and you will hear 2 audible 'beeps'. Follow these steps to refill:

1. Press Switch 'A' to **(0)** (See Fig. 2)
2. Gently pull out the drawer as far as possible by the tab. (See Fig. 3)
3. Remove the water tank by lifting upwards and outwards.
4. Place the water tank in sink and remove cap, Anti-clockwise to open. (See Fig. 6)
5. Fill tank with **tap water with a maximum hardness of 10 dH only**. This is necessary to prolong the life of the flame and smoke producing unit. In situations with a higher water hardness, the water should be filtered (for example with a Maxtra filter). **Do not use a decalcifier.**
6. Screw the cap back on, **do not overtighten**.
7. Return the tank to the sump, with the tank cap facing down and the flat side of the tank facing outward.
8. Gently push the drawer back in as far as it will go.
9. Press Switch 'A' to 'ON' (I) position (See Fig. 2)
10. Press Switch 'B' once to turn on flame effect. (See manual control section and Fig. 2)

Cleaning.

WARNING – ALWAYS DISCONNECT FROM THE POWER SUPPLY BEFORE CLEANING THE HEATER.

We recommend cleaning the following components once every week, particularly in hard water areas:-

Water Tank, Sump and Seal, Sump lid, Tank cap and seal, Air filter.

For general cleaning use a soft clean duster – never use abrasive cleaners. To remove any accumulation of dust or fluff the soft brush attachment of a vacuum cleaner should occasionally be used to clean the outlet grille of the fan heater.

Water tank

1. Remove water tank, as described earlier, put into sink and empty water.
2. Using the supplied brush gently rub the inside surfaces of the cap paying particular attention to the rubber ring in the outer groove and the centre rubber seal.
3. Put a small quantity of washing up liquid into the tank, refit the cap and shake well, rinse out until all traces of washing up liquid are gone.
4. Refill with filtered tap water only, replace the cap, do not overtighten.

Sump

1. Press Switch 'A' to the 'OFF' **(0)** position
2. Gently pull the drawer out as far as possible. (See Fig. 3)
3. Remove the water tank by lifting upwards.
4. Disconnect the electrical connector, located on the left side of the sump, by first loosening the two retaining screws and gently withdrawing the connector. (See Fig. 8)
5. Release the lower sump locking tabs by turning 90°, this allows the sump to be lifted completely from its location. (See Fig. 9)
6. Gently lift up the sump assembly, taking care to keep level so as not to spill any water. Sit the assembly in the sink. (See Fig. 10)
7. Release the two upper sump locking tabs by turning 90°, then lift off the sump lid. (See Fig. 11)
8. Carefully tilt, as shown, so that the liquid drains out of the sump. (See Fig. 12)

9. Put a small amount of washing up liquid into the sump, and using the supplied brush, gently clean all surfaces including the metal disc and the rubber seal located in the top grooved surface. **Do not remove the rubber seals.** (See Fig. 13 and 14)
10. When cleaned, thoroughly rinse the sump with clean water.
11. Clean the outlet surface of the sump lid with the brush and flush out thoroughly with water. (See Fig. 15 & 16)
12. Reverse the above steps to reassemble.

Air filter.

1. Press Switch 'A' to the 'OFF' (0) position (See Fig. 2)
2. Gently pull the drawer out as far as possible. (See Fig. 3)
3. Remove the tank and place in a sink with the cap facing upwards.
4. Gently slide upwards the air filter plastic holder. (See Fig. 17)
5. Remove the filter combination from the plastic holder.
6. Gently rinse with water in the sink and dry with fabric towel before returning.
7. Replace the filter combination making sure that the coarse black filter is in contact with the plastic holder. (See Fig. 18)
8. Replace the tank.
9. Close the drawer fully.
10. Press Switch 'A' to the 'ON' (I) position (See Fig. 2)

Additional Information

Recycling.



For electrical products sold within the European Community. At the end of the electrical products useful life it should not be disposed of with household waste. Please recycle where facilities exist. Check with your Local Authority or retailer for recycling advice in your country.

After Sales Service.

Your product is guaranteed for two years from the date of purchase. Within this period, we undertake to repair or exchange this product free of charge (excluding lamps & subject to availability) provided it has been installed and operated in accordance with these instructions. Your rights under this guarantee are additional to your statutory rights, which in turn are not affected by this guarantee.

| Troubleshooting | | |
|--|--|---|
| Symptom | Cause | Corrective Action |
| The flame effect will not start. | <p>Mains plug is not plugged in.</p> <p>Switch A is in the 'ON' (I) position, but mode Switch B has not been pressed. (See Fig. 2)</p> <p>Low water level.</p> <p>Low voltage connector not connected properly. (See Fig. 8)</p> | <p>Check plug is connected to wall socket correctly.</p> <p>Press Switch B once for flame effect. (See Fig. 2)</p> <p>Check the water tank is full and there is water in the sump.</p> <p>Check that the connector is inserted correctly. (See Fig. 8)</p> |
| The flame effect is too low. | <p>Flame effect is set too low.</p> <p>The water in the sump may be too high due to the drawer being opened and closed a number of times, water tank removed a number of times, or the fire has been moved.</p> <p>Metal Disc at the base of Sump might be dirty (See Fig. 13)</p> | <p>Increase level of flame by using remote control. (See Section Operating the Product)</p> <p>If water level in the sump is more than 40mm, the sump should be removed and emptied in the sink.</p> <p>Clean Metal Disc with soft brush supplied. (See Fig. 13) See 'Maintenance.' for a step by step procedure.</p> |
| Unpleasant smell when unit is used. | Dirty or stale water. | <p>Clean the unit as described under maintenance.</p> <p>Only use tap water in this appliance with a maximum hardness of 10 dH.</p> |
| The flame effect has too much smoke. | Flame effect setting is too high. | Turn the flame effect Thumb Wheel 'D' down to minimum and slowly turn up, about ¼ a turn, at a time. Give the flame generator some time to adjust before increasing. (See Fig. 2) |
| Main lamps are not working and there are no flames or smoke. | There is no water in the tank. | <p>Follow instructions under Maintenance, 'Filling the water tank'.</p> <p>Check the plug is connected to wall socket correctly.</p> <p>Switch 'A' Fig. 2 is in the 'ON' (I) position.</p> <p>Press switch 'B' Fig. 2 until you can hear one beep only, for flame effect.</p> |
| Condensation on the glass | <p>The mist setting is too high</p> <p>The glass may be cold during product start-up</p> | <p>Reduce the mist intensity by turning the thumb wheel 'D' down</p> <p>Reduce the mist intensity to low and turn switch 'C' to high speed.</p> <p>Run the product under this setting until the glass clears then return to your preferred setting.</p> <p>Repeat this procedure should condensation return</p> |

WAŻNE: NALEŻY DOKŁADNIE ZAPOZNAĆ SIĘ Z INSTRUKCJAMI I ZACHOWAĆ JE DO WYKORZYSTANIA W PRZYSZŁOŚCI

Podczas użytkowania urządzeń elektrycznych należy zawsze stosować środki ostrożności, celem zmniejszenia ryzyka pożaru, porażenia lub innych urazów, opisane niżej:

W przypadku gdy urządzenie jest uszkodzone, przed przystąpieniem do instalacji i użytkowania, należy skontaktować się z dostawcą.

Nie używać poza pomieszczeniami.

Tego urządzenia nie wolno używać w bezpośrednim sąsiedztwie wanny, pryszniczki ani basenu.

Nie pozostawiać urządzenia bezpośrednio pod stałym gniazdkiem czy skrzynką rozdzielczą.

Urządzenie może być użytkowane przez dzieci w wieku 8 i więcej lat oraz osoby z ograniczeniami fizycznymi, sensorycznymi lub mentalnymi, nie posiadające doświadczenia i wiedzy, pod warunkiem, że robią to pod nadzorem, zostały odpowiednio poinstruowane i rozumieją związane z tym zagrożenia. Urządzeniem nie mogą bawić się dzieci. Dzieci nie powinny czyścić ani konserwować produktu samodzielnie, bez nadzoru.

Dzieci w wieku poniżej 3 lat powinny przebywać z dala od urządzenia, jeśli nie znajdują się pod stałym nadzorem. Dzieci w wieku od 3 do 8 lat mogą jedynie włączać i wyłączać urządzenie, pod warunkiem że zostało ono zainstalowane lub umieszczone w docelowym położeniu roboczym, a dzieci zostały odpowiednio poinstruowane w kwestii bezpiecznego użytkowania urządzenia lub też są nadzorowane i rozumieją powiązane zagrożenia. Dzieci w wieku od 3 do 8 lat nie powinny podłączać do gniazdka, regulować, czyścić ani konserwować urządzenia.

Nie wolno łączyć urządzenia szeregowo z regulatorami temperatury, sterownikami programowalnymi, zegarowymi lub innymi akcesoriami, które automatycznie włączają grzejnik, ponieważ może to spowodować pożar w przypadku zakrycia lub przemieszczenia urządzenia.

Urządzenie nie zostało wyposażone w regulator temperatury pokojowej. Urządzenia nie można użytkować w małych pokojach zajmowanych przez osoby niezdolne do samodzielnego opuszczenia pokoju, chyba że pod nadzorem.

Upewnić się, że meble, firanki, lub inne materiały łatwopalne znajdują się nie bliżej niż 1 metr od urządzenia.

W przypadku awarii odłączyć urządzenie od gniazda sieciowego.

Odłączyć urządzenie od gniazda sieciowego jeżeli nie będzie używane przez dłuższy czas.

Mimo że urządzenie spełnia normy bezpieczeństwa, nie zaleca się użytkowania na grubych dywanach lub chodnikach z długim włosiem.

Urządzenie należy ustawić w taki sposób, aby wtyczka była łatwo dostępna.

Jeżeli przewód zasilający jest uszkodzony, powinien zostać wymieniony przez producenta lub zakład serwisowy albo inną osobę wykwalifikowaną, celem wyeliminowania zagrożeń.

Przewód zasilający należy trzymać z dala od przedniej części urządzenia.

Ostrzeżenie: Nie należy zakrywać urządzenia, aby uniknąć jego przegrzania. Nie wolno zakrywać urządzenia tkaninami lub odzieżą, ani w inny sposób utrudniać obiegu powietrza, np. firankami lub meblami. Może to skutkować przegrzaniem i pożarem.

Ostrzeżenie: Aby uniknąć zagrożenia na skutek przypadkowego zresetowania bezpiecznika cieplnego, urządzenia nie można podłączać do zasilania za pośrednictwem zewnętrznego urządzenia sterującego, takiego jak wyłącznik zegarowy, ani podłączać do obwodu regularnie włączanego i wyłączanego przez operatora sieci.

PRZESTROGA – Niektóre części urządzenia mogą się mocno nagrzać, co może spowodować oparzenia. Należy zwrócić szczególną uwagę na dzieci lub osoby wrażliwe.

Informacje ogólne

Grzejnik należy ostrożnie rozpakować i zachować opakowanie na wypadek konieczności przewozu lub zwrotu urządzenia do dostawcy. Pilot, baterie i lampy są zapakowane osobno w kartonie.

Grzejnik oferuje efekt płomieni, który można włączyć razem z funkcją grzania lub oddzielnie, dzięki czemu można wykorzystać relaksujące działanie płomieni niezależnie od pory roku. Sam efekt płomienia wiąże się jedynie z niewielkim poborem energii.

Przed podłączeniem grzejnika należy sprawdzić, czy napięcie zasilania jest takie samo jak podane na tabliczce znamionowej grzejnika.

Uwaga: Używanie w środowisku, w którym poziom hałasu jest bardzo niski, może sprawić, że dźwięk związany z działaniem efektu płomienia będzie słyszalny. Jest to normalny objaw i nie powinien budzić niepokoju.

Przyłącze prądu:

OSTRZEŻENIE – URZĄDZENIE MUSI BYĆ UZIEMIIONE.

Niniejszy grzejnik musi być zasilany wyłącznie prądem przemiennym, a wartość napięcia zasilania musi odpowiadać wartości na grzejniku.

Przed włączeniem urządzenia należy przeczytać wszystkie zasady bezpieczeństwa i instrukcje obsługi.

NINIEJSZĄ INSTRUKCJĘ NALEŻY ZACHOWAĆ DO PRZYSZŁEJ KONSULTACJI.

Elementy systemu Opti-myst wykonane z tworzywa nie nadają się do czyszczenia w zmywarce.

Wysuwaj szufladę tylko wtedy, gdy należy opróżnić zbiornik na wodę, lub wymienić lampę. W przeciwnym razie może to mieć skutki dla poziomu wody i efektu płomienia.

W urządzeniu należy używać wyłącznie wodę kranową o twardości maksymalnej 10 dH.

Upewnij się, że urządzenie zostało ustawione na płaskiej powierzchni.

Jeśli urządzenie nie będzie używane przez dłużej niż 1 tydzień, należy spuścić wodę ze zbiornika odpływowego i zasobnika wody oraz wysuszyć zbiornik odpływowy.

Po zamontowaniu nigdy nie przenoś urządzenia, ani nie kładź go na „grzbiecie”, bez wcześniejszego usunięcia wody ze zbiornika na wodę i zbiornika ociekowego.

Zasobnik wody, zbiornik odpływowy, pokrywa zbiornika, korek zbiornika oraz filtry powietrza muszą być czyszczone co tydzień, szczególnie w przypadku używania twardej wody:

Urządzenia nie wolno pozostawiać włączonym, kiedy lampy nie działają.

Lampy powinny być regularnie kontrolowane zgodnie z opisem w punkcie „Konserwacja” i „Wymiana lamp”.

Dane techniczne

Numer modelu: 3 Step E

| Moc grzewcza | | 230 V | 240 V | |
|------------------------------------|--------------------|-------|-------|-------|
| Nominalna moc grzewcza | P_{Nom} | 0.9 | 1.0 | kW |
| Minimalna moc grzewcza | P_{min} | 0.9 | 1.0 | kW |
| Maksymalna ciągła moc grzejna | $P_{\text{maks.}}$ | 0.9 | 1.0 | kW |
| Zużycie energii na potrzeby własne | | | | |
| W trybie spoczynku | P_{Nom} | 0.87 | 0.93 | Szer. |

z elektroniczną kontrolą temperatury pokojowej i zegarem tygodniowym

Instrukcja instalacji

Model 3-Step można dostosować do 3 stylów: Tripple (szyba trójstronna), Duet (szyba dwustronna) i Relax (szyba tylko z przodu). Produkt dostarczany jest w wersji Relax. Aby zmienić model należy przymocować ssawki do szyby przedniej i unieść szybę do góry, po czym opuścić i odłożyć na podłodze, jak na Rys. 3a. Wyjmij sznur gumowy po wewnętrznej stronie szyby bocznej w części górnej i dolnej urządzenia. Zsuń boczną płytę metalową i szybę boczną razem, jak na Rys. 3b. Ponownie rozsuń szybę i płytę na swoje miejsca. Użyj większego sznura gumowego, umieszczonego w pakiecie instruktażowym, do przymocowania szyby bocznej na jej miejscu. Ponownie zamontuj szybę przednią, wykonując powyższe kroki w odwrotnej kolejności. Przy pomocy ssawek wyreguluj szybę boczną, taka szyba boczna i szyba przednia były osadzone prawidłowo. Upewnij się, że między górną częścią kominka a dolną częścią półki została przerwa o szerokości 300 mm. **Montaż na ścianie:** Zbuduj podest, na którym osadzone będzie urządzenie. Używając wymiarów podanych na Rys. 1

przymocuj poziomo wsporniki ściennie do ściany, przy pomocy 4 elementów mocujących odpowiednich dla ściany. Przytrzymaj kominek za boki, w dwie osoby, i ostrożnie zawieś kominek na ściennych wspornikach montażowych. Pod urządzeniem umieszczone są cztery regulowane podpórki, służące do poziomowania urządzenia, kiedy podstawa otworu kominka jest wyniesiona ponad poziom podestu. Podczas budowy czołowego okapu upewnij się, że w przedniej jego części znajduje się wywietrznik, umożliwiający przepływ powietrza do urządzenia (Rys. 21). Ma to duże znaczenie dla efektu płomienia. Upewnij się też, że w górnej części produktu dostępna jest wentylacja, która ma duże znaczenie dla jego prawidłowej pracy (Rys 20).

Przed zainstalowaniem urządzenia zalecamy:

1. Wybranie preferowanego stylu 3-step oraz odpowiednie dostosowanie urządzenia
 2. Wyczyszczenie kominka przez zawodowego kominiarza
 3. Odizolowanie komina.
- Procedura ta jest istotna dla wydajnej pracy grzejnika i zmniejsza stratę ciepła przez komin.

Instalacja.

Upewnij się, że wszystkie elementy opakowania zostały usunięte (przeczytaj uważnie wszystkie etykiety ostrzegawcze), zachowaj opakowanie do późniejszego wykorzystania.

Zachowaj wszystkie opakowania do późniejszego wykorzystania, np. w przypadku przeprowadzki lub zwrotu urządzenia do dostawcy.

Teraz możesz zamontować kminek elektryczny w swoim kominie. Upewnij się, że urządzenie jest **WYŁĄCZONE**.

Używając odpowiednich elementów mocujących, przymocuj ściennie wsporniki montażowe do ściany. Podłącz grzejnik do gniazda zasilania 13 A/240 V. Upewnij się, że kabel zasilający wychodzi z przodu urządzenia, w jego prawym lub lewym rogu, oraz upewnij się, że nie jest on uwięziony pod urządzeniem, co mogłoby spowodować jego uszkodzenie.

Przed przystąpieniem do używania ręcznych elementów sterujących napełnij zbiornik na wodę (zob. „Konserwacja”, „Napełnianie zbiornika na wodę”).

Obsługa kominka

OSTRZEŻENIE: NIE ZASTOSOWANIE SIĘ DO TYCH INSTRUKCJI MOŻE SKUTKOWAĆ URAZAMI CIAŁA I/LUB USZKODZENIEM URZĄDZENIA.


Elementy sterowania ręcznego


Ręczne elementy sterujące Opti-myst są umieszczone na podstawie urządzenia.

(Układ elementów sterowania ręcznego można znaleźć na Rys.2)

Przełącznik A: Steruje zasilaniem elektrycznym grzejnika.

Uwaga: Aby funkcja symulacji płomieni zadziałała, z grzaniem lub bez, przełącznik musi być ustawiony w położeniu „ON” (I).


Przełącznik ‘B’:- Aby włączyć efekt płomienia  wciśnij przycisk jednokrotnie. Czynność zostanie potwierdzona słyszalnym sygnałem akustycznym. Chociaż oświetlenie główne włącza się natychmiastowo, uruchomienie efektu płomieni może potrwać nawet do 45 s.

Wciśnij  by przełączyć grzejnik w tryb oczekiwania. Czynność zostanie potwierdzona słyszalnym sygnałem akustycznym.

Pilot zdalnego sterowania

Pilot zdalnego sterowania został zapakowany wraz z 2 bateriami AA w torebce. Zdjąć pokrywę pojemnika na baterię z tylnej ścianki pilota, włożyć baterie zgodnie z polaryzacją

Pilot zdalnego sterowania został już fabrycznie sparowany z urządzeniem. W mało prawdopodobnym przypadku odłączenia pilota zdalnego sterowania od urządzenia lub uzyskania odrębnego pilota zdalnego sterowania należy wykonać proces parowania:

1. Po podłączeniu grzejnika do gniazda zasilania przestawić przełącznik A do położenia ON (I). Zostanie wyemitowany sygnał potwierdzenia.
2. Nacisnąć i przytrzymać przycisk 6 aż do wyświetlenia komunikatu PAIR na wyświetlaczu.
3. Zbliżyć pilot zdalnego sterowania do produktu w miejscu zamontowania odbiornika . Patrz rys. 3C.
4. Produkt zacznie emitować sygnał dźwiękowy i błyskać.
5. Nacisnąć przycisk 6, aby zakończyć proces parowania. Produkt przejdzie do trybu gotowości.

Włączanie urządzenia.

Aby aktywować pilot zdalnego sterowania wciśnij i przytrzymaj przycisk ENTER przez 3 sekundy. Wyświetlacz będzie pokazywał napis FIRE (ogień) a dioda ON (WŁ) będzie migać. Aby włączyć urządzenie wciśnij przycisk ENTER. Aby wyłączyć urządzenie wciśnij przycisk MENU - napis FIRE zacznie migać, wciśnij dwukrotnie przycisk ENTER.

Zob. Ustawienia płomienia

Po aktywowaniu pilota zdalnego sterowania, wciśnij przycisk jednokrotnie. Wyświetlacz będzie pokazywał migający napis FIRE (ogień). Wciśnij ENTER Bieżące ustawienie płomienia będzie wyświetlane jako F1-F6. Aby wyregulować ustawienie wciskaj przyciski UP (DO GÓRY) i DOWN (DO DOŁU). Po wybraniu ustawienia płomienia dwukrotnie wciśnij przycisk BACK (wstecz) celem wyjścia z menu i powrotu do ekranu startowego.

Włączanie ogrzewania

Po aktywowaniu pilota wciśnij jednokrotnie przycisk MENU. Wyświetlacz będzie pokazywał migający napis FIRE (ogień). Wciśnij jednokrotnie przycisk ADV, napis HEAT (GRZANIE) zacznie migać. Wciśnij ENTER. Bieżące ustawienie ogrzewania będzie wyświetlane jako OFF LO HI (WŁ NIS WYS). Aby wyregulować ustawienie wciskaj przyciski UP (DO GÓRY) i DOWN (DO DOŁU). Po wybraniu ustawienia płomienia, wciśnij przycisk ENTER

Konfigurowanie termostatu

Wartość temperatury pokazywana na wyświetlaczu to nastawa temperatury pokojowej. Jest to temperatura, którą grzejnik będzie utrzymywać w czasie cyklu grania. Jeżeli temperatura otoczenia jest większa od tej temperatury, grzejnik nie zadziała. Grzejnik ustawiony jest fabrycznie na temperaturę 15°C, co jest typową wartością komfortowej temperatury pokojowej. Jeżeli chcesz ustawić inną temperaturę pokojową, wciśnij przycisk „do góry” lub „do dołu” na ekranie startowym, do czasu aż wyświetlacz pokaże żądaną wartość temperatury.

Wyłącznik termiczny

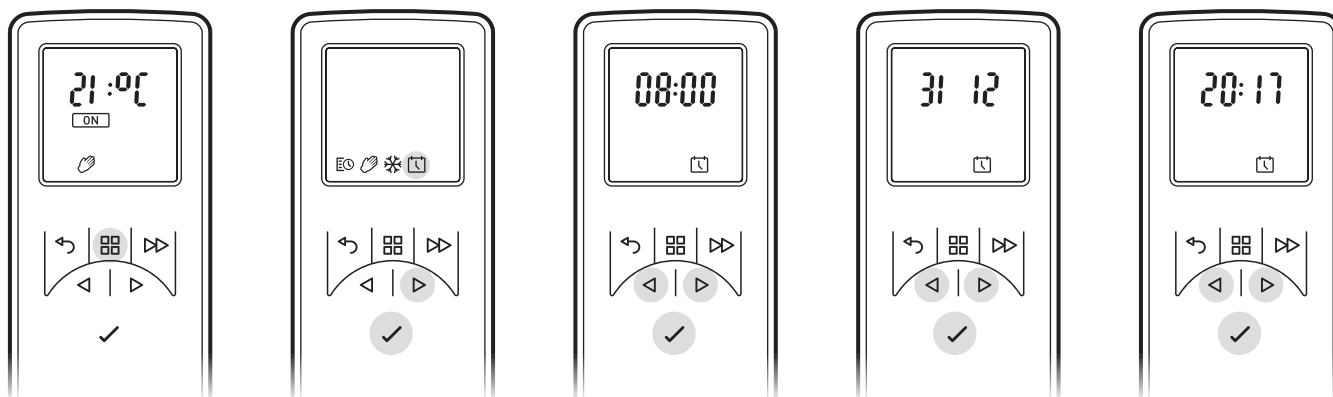
W grzejnik wentylatorowy wbudowany został bezpiecznik termiczny, celem zapobieżenia jego uszkodzeniu na skutek przegrzania. Może do tego dojść wtedy, gdy wylot ciepła jest zablokowany. W przypadku zadziałania bezpiecznika, odłącz grzejnika od gniazda sieciowego i podłącz ponownie po upływie ok. 10 minut. Przed ponownym włączeniem grzejnika usuń przeszkodę zasłaniającą wylot ciepłego powietrza i kontynuuj procedurę uruchamiania grzejnika.

UWAGA: Aby uniknąć niebezpieczeństwa związanego z przypadkowym wyzerowaniem termowłącznika, urządzenia nie można zasilać z wykorzystaniem zewnętrznego urządzenia przełączającego, takiego jak wyłącznik czasowy (timer), ani nie można podłączać go do obwodu zasilania, który jest regularnie włączany i wyłączany przez dostawcę energii.

Ustawianie daty i godziny

Ustawienie daty i godziny w grzejniku;

1. Wciśnij przycisk Menu.
2. Wciśnij 4 razy przycisk ^
3. Kiedy ikona Date & Time (Data i godzina) zacznie migać wciśnij przycisk „Enter”
4. Wciśnij przycisk „Enter” aby ustawić czas
5. Wciskając przyciski v i ^ ustaw Hour (Godzina) i wciśnij „Enter”
6. Wciskając przyciski v and ^ ustaw Minutes (Minuty), wciśnij „Enter” aby potwierdzić
7. Wciskając przyciski v i ^ ustaw Day (Dzień) i wciśnij „Enter”
8. Wciskając przyciski v i ^ ustaw Month (miesiąc) i wciśnij „Enter”
9. Wciskając przyciski v i ^ ustaw Year (Rok), wciśnij „Enter” aby potwierdzić



Tryby pracy zdalnej

Zegar użytkownika: Oferuje użytkownikowi niezrównaną elastyczność. Dostępne są cztery szczeliny czasowe w ciągu dnia, które można dostosować do każdego dnia tygodnia. Instrukcje regulowania trybów zegara i zmieniania fabrycznych ustawień czasu i temperatury zamieszczono w rozdziale „Regulowanie trybów pracy zegara”.

Tryb sterowania ręcznego: Tryb ten realizuje podgrzewanie pomieszczenia do temperatury, która została ustawiona na pilocie zdalnego sterowania.

Ochrona przez mrozem Tryb ten będzie utrzymywać temperaturę pokojową 7°C. Tryb ten powinien być wykorzystywany do ochrony urządzenia przed zamrożeniem, tak jak to wskazuje ikona mrozu.

Wybieranie i ustawianie trybu pracy

Zegar użytkownika (User Timer) - Służy do przeprogramowania fabrycznych trybów pracy zegara:

1. Wciśnij przycisk Menu
2. Wciśnij jednokrotnie przycisk ^ zgodnie z harmonogram Ikona zacznie migać. Wciśnij Enter.
3. Dwukrotnie wciśnij ^ a następnie wciśnij Enter

Dni robocze są teraz wyświetlane w górnej części ekranu

Dzień 1 = poniedziałek

Dzień 2 = wtorek

Dzień 3 = środa

Dzień 4 = czwartek

Dzień 5 = piątek

Dzień 6 = sobota

Dzień 7 = niedziela

4. Wciśnij Enter aby zmodyfikować dzień 1 (Modify Day 1) lub wciśnij ^ aby przejść do żądanego dnia po czym wciśnij Enter aby wybrać ten dzień
5. Na ekranie wyświetlony zostanie napis P1
6. Wciśnij Enter aby wybrać P1, przejść do P2, P3 lub P4, wciśnij ^ aby wybrać ten program
7. Zapali się dioda ON (WŁ), wciśnij Enter aby ustawić czas
8. Wciśnij v lub ^ aby ustawić Hour (Godziny), wciśnij „Enter” aby potwierdzić
9. Wciśnij v lub ^ aby ustawić Minute (Minuty), wciśnij „Enter” aby potwierdzić
10. Wciśnij v lub ^ aby wyregulować ustawienie temperatury, wciśnij „Enter” aby potwierdzić
11. Wciśnij v lub ^ aby ustawić Hour (Godziny), wciśnij „Enter” aby potwierdzić
12. Wciśnij v lub ^ aby ustawić Minute (Minuty), wciśnij „Enter” aby potwierdzić

Wciśnij Enter aby zmodyfikować Program P2, wykonaj kroki 5 do 12, wciśnij ^ aby przejść do Programu P3
 Wciśnij Enter aby zmodyfikować Program P3, wykonaj kroki 5 do 12, wciśnij ^ aby przejść do Programu P4
 Wciśnij Enter, aby zmodyfikować Program P4, wykonaj kroki 5 do 12

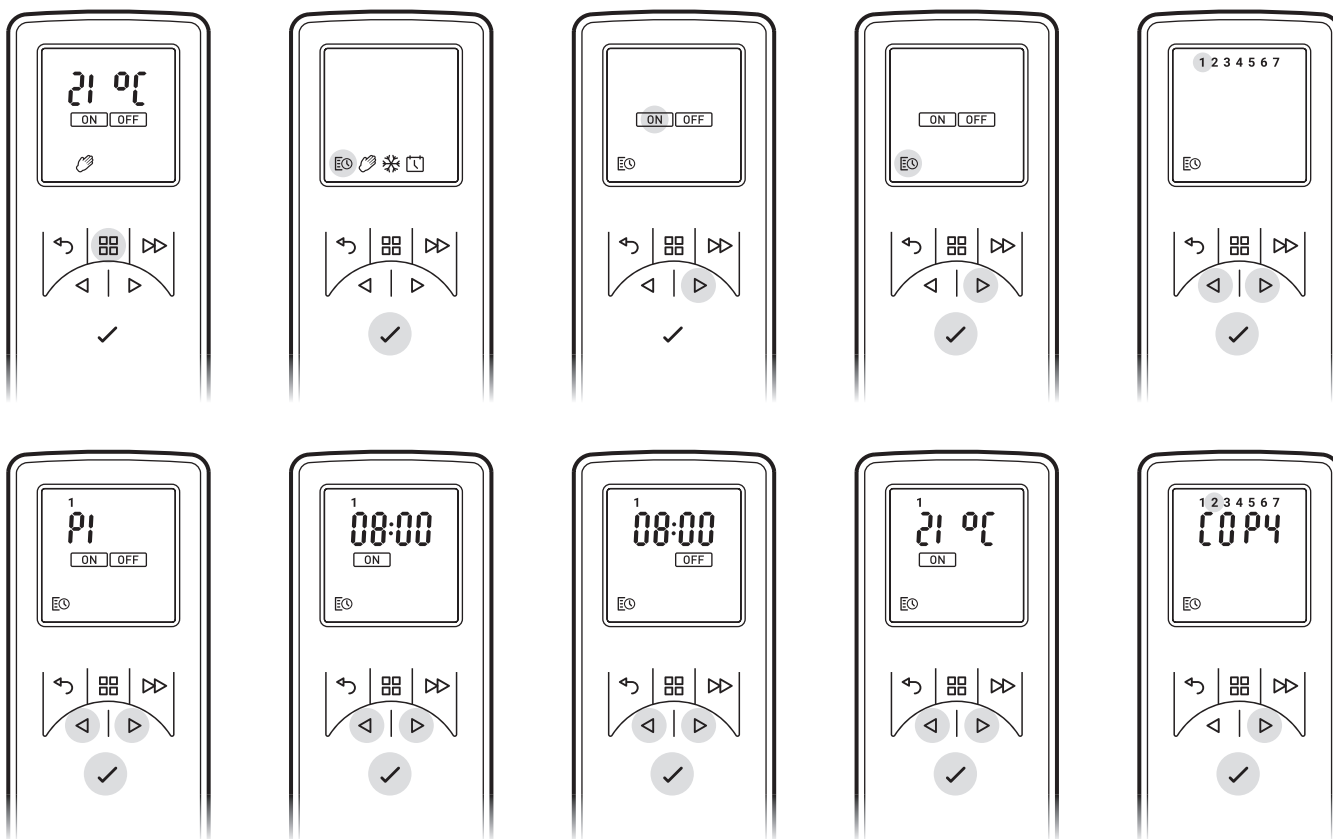
Aby skopiować nowowprowadzone programy grzania P1 do P4 do innych dni, wciśnij przycisk Enter.

Na ekranie wyświetlony zostanie napis Kopia

Aby skopiować ustawienia do następnego dnia, wciśnij przycisk ^. Aby odznaczyć kolejny dzień, wciśnij przycisk Enter.

Zaznaczone dni tygodnia zostaną wyświetlone w górnej części ekranu. Dni odznaczone nie będą już widoczne (zob. Schematy).

Wciśnij „Enter” aby potwierdzić, podświetlenie zamiga i wróci do ekranu startowego.

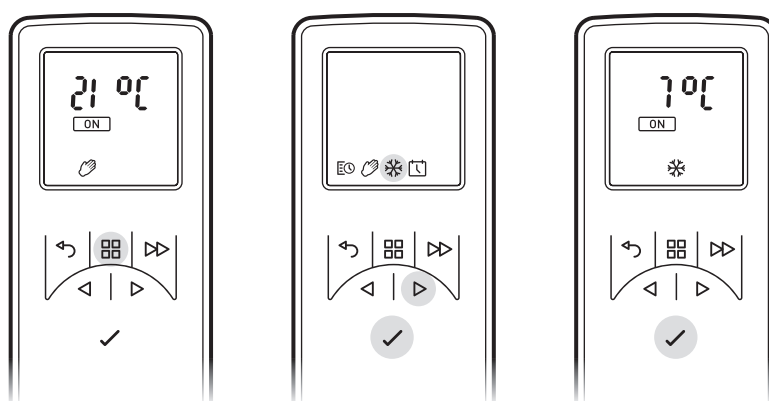


Tryb sterowania ręcznego - Aby wybrać tryb ogrzewania ciągłego. Tryb ten ignoruje zegar użytkownika (User Timer) i utrzymuje wyświetlaną temperaturę.

- Wciśnij przycisk Menu
- Wciśnij trzykrotnie przycisk ^ celem podświetlenia ikony dłoni
- Wciśnij „Enter” aby potwierdzić
- Ustaw żadaną wartość temperatury używając przycisków v i ^

Ochrona przed zamarzaniem - Tryb ochrony przed zamarzaniem utrzymuje temperaturę 7°C przez okres 24 godzin. Tryb ten powinien być wykorzystywany do ochrony urządzenia przed zamarznięciem, tak jak to wskazuje ikona mrozu.

- Wciśnij przycisk Menu
- Wciśnij trzykrotnie przycisk ^ celem podświetlenia ikony płatka śniegu
- Wciśnij „Enter” aby potwierdzić
- Wciśnij v lub ^ aby wyjść z tego trybu i przejść do trybu sterowania ręcznego.



Uzyskiwanie żadanego efektu płomienia

1. Wciśnij przycisk MENU na pilocie zdalnego sterowani, wyświetlacz pokaże migający napis FIRE (ogień), po czym wciśnij przycisk ENTER. Wyświetlone zostanie bieżące ustawienie. Wciśnij ^ lub v celem przełączenia się między F1 a F6. F1 to ustawienie najniższe, a F6 to ustawienie najwyższe.
2. Zasadniczo, płomienie wyglądają bardziej realistycznie wtedy, gdy poziom jasności płomieni jest mniejszy.
3. Pozostaw generator płomienia na chwilę, do czasu aż zareaguje na wprowadzone zmiany.
4. O ustawieniu niższego poziomu grzejnik będzie zużywał mniej wody na efekt dymu.
5. Nie przechylaj ani nie przenoś grzejnika kiedy w zbiorniku wody lub w zbiorniku ociekowym znajduje się woda.
6. Upewnij się, że grzejnika został ustawiony na poziomej podłodze.

Dostosowanie wyświetlacza

Maksymalna wartość nastawy temperatury dla produktu wynosi 32°C Możesz obniżyć tę wartość Możesz także zmienić °C na °F

1. Wciśnij przycisk Menu.
2. Wciśnij dwukrotnie przycisk ADV – napis SP zacznie migać.
3. Wciśnij „Enter” aby potwierdzić.
4. Wciśnij v lub ^ aby wybrać pomiędzy °C i °F.
5. Wciśnij „Enter” aby potwierdzić.
6. Wciśnij v lub ^ aby wybrać maksymalną wartość nastawy temperatury.
7. Wciśnij „Enter” aby potwierdzić.
8. Aby powrócić do ekranu startowego, wciśnij trzykrotnie przycisk BACK (WSTECZ).

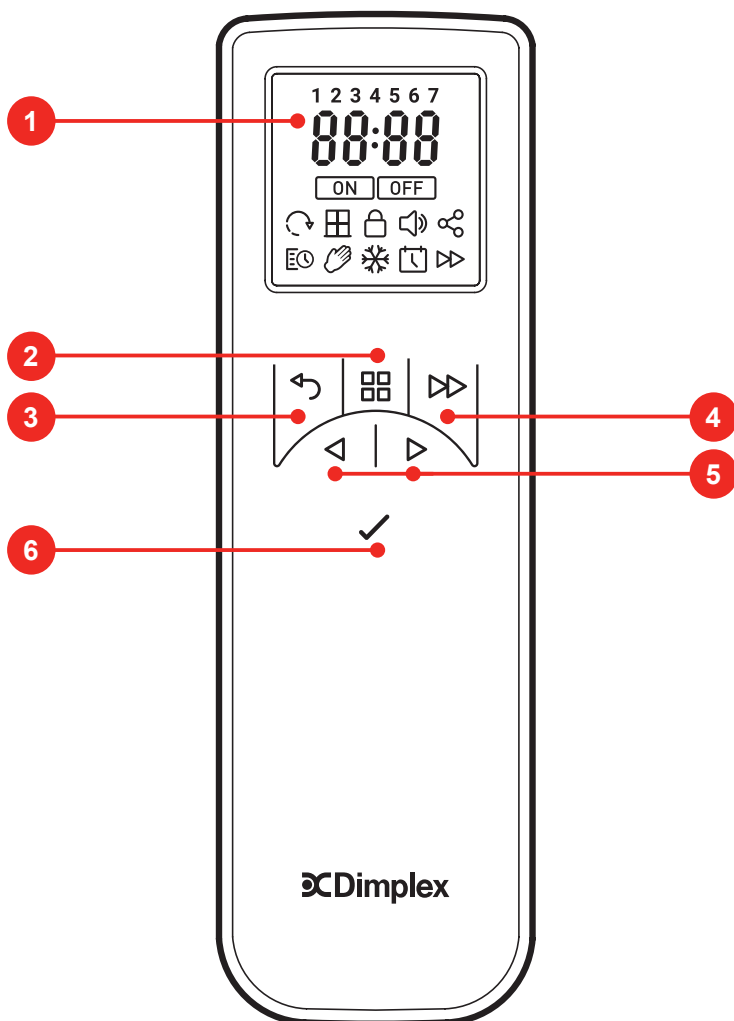
Adaptive Start (Uruchomienie opóźnione)

Wbudowane układy elektroniczne urządzenia wyposażone zostały w funkcję uczenia się, w zakresie jak długo należy ogrzewać pokój aby uzyskać ustawioną temperaturę pokojową. Po nauczeniu się, jak szybko można nagrzać pomieszczenie, urządzenie może włączyć się z odpowiednim wyprzedzeniem, celem nagrzania pomieszczenia do komfortowej temperatury w odpowiednim czasie. Jeżeli, przykładowo, wstajesz o godzinie 7.00, musi zgadywać kiedy włączyć grzejnik aby nagrzał pokój w odpowiednim czasie. W zależności od temperatury na zewnątrz może to oznaczać, że po wyjściu z łóżka w sypialni wciąż jest zimno lub że grzejnik zdążył już ogrzać pokój. Uruchomienie opóźnione oznacza, że po wybraniu wartości 21°C na godzinę 7. rano grzejnik włączy się dokładnie wtedy, kiedy musi, celem spełnienia tego wymagania, pracując przez krótkie okresy podczas łagodnej pogody, gwarantując przyjemną temperaturę pomieszczenia w zimie.

Funkcja Adaptive Start (Uruchomienie opóźnione) włączana jest automatycznie wtedy, gdy używany jest tryb zegara (Timer Mode).

Pilot zdalnego sterowania

- 1 Ekran wyświetlacza
- 2 Przycisk "Menu"
- 3 Przycisk "Back" (Wstecz)
- 4 Przycisk "Advance" (Dalej)
- 5 Przyciski strzałek do góry i do dołu
- 6 Przycisk "Enter"



OSTRZEŻENIE: PRZED PODJĘCIEM JAKICHKOLWIEK PRAC KONSERWACYJNYCH NALEŻY ODŁĄCZYĆ URZĄDZENIE OD ZASILANIA.

Mocowanie lamp zamiennych.

Pojawienie się dużej ilości dymu, szarego lub bezbarwnego, oznacza uszkodzenie jednej lub kilku lamp.

Możesz sprawdzić lampę, w poniższy sposób.

1. Pozostawiając włączony efekt płomienia, otwórz do końca szufladę, ostrożnie, trzymając ją za występ. (zob. Rys. 3)
2. Sprawdź, obserwując z pewnej odległości, które lampy wymagają wymiany.
3. Ustaw przełącznik „A” w położeniu OFF (WYŁ) i wyjmij wtyczkę z gniazda zasilania.
4. Przed przystąpieniem do demontażu lamp, pozostaw urządzenie na 20 minut, tak aby lampy się ochłodziły.
5. Wymontuj zbiornik na wodę podnosząc go do góry i umieść go w zlewie.
6. Wymontuj zbiornik ociekowy, zgodnie z opisem w sekcji Czyszczenie.
7. Wymontuj wadliwą lampę, ostrożnie ją unosząc i wyjmując jej wtyki z gniazda lampy (zob. Rys. 4 i 5). Wymień na oryginalną lampę kolorową 12 V, 45 W z trzonem Gu5.3, kąt wiązki 8°. Do kupienia u Twojego sprzedawcy.
8. Ostrożnie włóż dwa styki nowej lampy w otwory osady lampy. Wciśnij lampę mocno na jej miejsce. (zob. Rys. 4 i 5)
9. Ponownie włóż zbiornik wody oraz zbiornik ociekowy i ostrożnie zamknij szufladę.
10. Włącz.

Napełnianie zbiornika na wodę.

Po opróżnieniu zbiornika i zatrzymaniu efektu płomienia i dymu, usłyszysz 2 sygnały akustyczne. Aby uzupełnić poziom wody wykonaj następujące kroki:

1. Ustaw przełącznik „A” w położeniu **(0)** (zob. Rys. 2)
2. Ostrożnie wyciągnij szufladę do końca, ciągnąc za występ. (zob. Rys. 3)
3. Wymontuj zbiornik na wodę podnosząc go do góry i na zewnątrz.
4. Umieść zbiornik na wodę w zlewie, odkręć nakrętkę kręcąc w lewo. (zob. Rys. 6)
5. Napełnij zbiornik **wyłącznie wodą bieżącą o twardości maksymalnej 10 dH**. Jest to niezbędne do przedłużenia żywotności urządzenia generującego efekt płomienia i dymu. W przypadku korzystania z wody o większej twardości, wodę należy przefiltrować (np. przy pomocy filtra Maxtra). **Nie używać środków odkamieniających.**
6. Nakręć z powrotem zakrętkę, **nie dokręcając jej zbyt mocno.**
7. Zamontuj zbiornik ponownie w układzie ociekowym, nakrętką w dół i płaską stroną do góry
8. Następnie wsuń szufladę z powrotem, do końca.
9. Ustaw przełącznik „A” w położenie ON (WŁ) **(I)** (zob. Rys. 2).
10. Wciśnij Przełącznik ‘B, jednokrotnie, aby włączyć efekt płomienia. (Zob. sekcję dotyczącą sterowania ręcznego oraz Rys. 2).

Czyszczenie.

OSTRZEŻENIE - PRZED ROZPOCZĘCIEM CZYSZCZENIA NALEŻY ZAWSZE ODŁĄCZYĆ URZĄDZENIE OD ZASILANIA.

Zaleca się czyszczenie następujących części co 1 tydzień, szczególnie w przypadku używania twardej wody:

Zbiornik na wodę, zbiornik ociekowy, zakrętka i uszczelka zbiornika, filtr powietrza.

Do czyszczenia należy używać miękkiej ściereczki – nigdy nie stosować ściernych środków czyszczących. Aby usunąć nagromadzony kurz lub zanieczyszczenie, użyć końcówki do odkurzacza z miękką szczotką do czyszczenia kratki wylotowej grzejnika.

Zbiornik na wodę

1. Zdemontuj zbiornik na wodę, w sposób opisany wcześniej, włóż go do zlewu i opróżnij z wody.
2. Przy pomocy dołączonej szczotki oczyść ostrożnie wewnętrzne powierzchnie zakrętki, zwracając szczególną uwagę na pierścień gumowy w rowku zewnętrznym oraz centralną uszczelkę gumową.
3. Wlej do zbiornika niewielką ilość płynu do mycia, ponownie załóż zakrętkę i potrząśnij, płucz do czasu usunięcia całego płynu.
4. Uzupełniaj zbiornik na wodę tylko filtrowana woda kranowa, załóż nakrętkę, nie zakręcając jej zbyt mocno.

Zbiornik ociekowy

1. Ustaw przełącznik „A” w położenie OFF **(0)** (WYŁ)
2. Ostrożnie wyciągnij szufladę, do końca. (zob. Rys. 3)
3. Wymontuj zbiornik na wodę podnosząc go do góry.
4. Odłącz złącze elektryczne po lewej stronie systemu ociekowego, poluzowując śruby mocujące i ostrożnie wysuwając złącze. (zob. Rys. 8)
5. Zwolnij dolne zatrzaski blokujące zbiornika ociekowego, obracając je o 90°, co umożliwi całkowite wyjęcie zbiornika ociekowego z jego miejsca w urządzeniu. (zob. Rys. 9)
6. Ostrożnie unieś zbiornik ociekowy, tak aby nie wylać znajdującej się w nim wody. Ustaw zespół w zlewie. (zob. Rys. 10)

7. Zwolnij dwa górne zatrzaski blokujące zbiornik ociekowy, obracając je o 90°, a następnie unieś wieko zbiornika ociekowego. (zob. Rys. 11)
8. Ostrożnie przechyl zbiornik ociekowy, celem opróżnienia go z cieczy. (zob. Rys. 12)
9. Wlej niewielką ilość płynu do mycia do zbiornika ociekowego, ostrożnie wyczyść dołączoną szczotką wszystkie powierzchnie, łącznie z tarczą metalową i uszczelką gumową, zlokalizowaną na górnej powierzchni rowkowanej. **Nie wyjmuj uszczeltek gumowych.** (zob. Rys. 13 i 14)
10. Po oczyszczeniu, starannie opłukaj zbiornik ociekowy czystą wodą.
11. Wyczyść pokrywę zbiornika ociekowego przy pomocy pędzla i opłukaj dokładnie wodą. (zob. Rys. 15 i 16)
12. Zmontuj urządzenie ponownie, wykonując powyższe czynności w odwrotnej kolejności.

Filtr powietrza.

1. Ustaw przełącznik A w położeniu OFF (WYŁ) (0) (Zob. Rys. 2)
2. Ostrożnie wyciągnij szufladę, do końca. (zob. Rys. 3)
3. Wymontuj zbiornik, umieść go w zlewie, nakrętką do góry.
4. Ostrożnie wysuń do góry plastikową osłonę filtra powietrza. (zob. Rys. 17)
5. Wyjmij zespół filtra z jego obudowy.
6. Przed zwrotem ostrożnie opłukaj wodą w zlewie i osusz ręcznikiem materiałowym.
7. Zamontuj ponownie zespół filtra, upewniwszy się, że czarny filtr zgrubny dotyka plastikowej obejmy. (zob. Rys. 18)
8. Włóż ponownie zbiornik.
9. Zamknij całkowicie szufladę.
10. Ustaw przełącznik A w położeniu ON (WŁ) (I) (zob. Rys. 2).

Dodatkowe informacje

Recycling.



Dotyczy produktów elektrycznych sprzedawanych w Unii Europejskiej. Po zakończeniu eksploatacji urządzeń elektrycznych nie wolno ich wyrzucać wraz z odpadami domowymi. Urządzenie należy oddać do odpowiedniego punktu odbioru odpadów. Informacje na temat recyklingu można uzyskać od lokalnych władz lub sprzedawcy.

Usługi posprzedażne.

Produkt objęty jest dwuletnią gwarancją od daty zakupu. W tym okresie zobowiązujemy się do bezpłatnego naprawienia lub wymiany produktu (z wyjątkiem lamp i pod warunkiem dostępności), pod warunkiem że został on zainstalowany i był użytkowany zgodnie z niniejszymi instrukcjami. Twoje prawa wynikające z niniejszej Gwarancji są dodatkowe do praw ustawowych, na które z kolei niniejsze prawa nie mają wpływu.

Usuwanie problemów

| Objaw | Przyczyna | Przeciwdziałanie |
|--|---|--|
| Nie można uruchomić efektu płomienia. | <p>Wtyczka zasilania nie jest podłączona do gniazda.</p> <p>Przełącznik „A” ustawiony jest w położeniu ON (Wł.), (I) ale przełącznik B nie został naciśnięty. (patrz rys. 2)</p> <p>Niski poziom wody w zbiorniku.</p> <p>Nieprawidłowo podłączona złączka niskonapięciowa. (patrz rys. 8)</p> | <p>Sprawdź, czy wtyczka jest prawidłowo podłączona do gniazda zasilania.</p> <p>Nacisnąć przełącznik „B” jeden raz, aby włączyć efekt płomienia. (patrz rys. 2)</p> <p>Sprawdź, czy zbiornik na wodę i zbiornik ociekowy są pełne.</p> <p>Sprawdź, czy przyłącze zostało podłączone prawidłowo. (patrz rys. 8)</p> |
| Efekt płomienia jest zbyt mały. | <p>Ustawiono zbyt niski efekt płomienia.</p> <p>Wielokrotne otwieranie i zamykanie szuflady, wielokrotne wyjmowanie zbiornika na wodę lub przesuwanie urządzenia może skutkować zbyt wysokim poziomem wody w w zbiorniku ociekowym.</p> <p>Metalowa płytką przy podstawie zbiornika odpływowego może być brudna (patrz rys. 13)</p> | <p>Zwiększ poziom płomienia za pomocą pilota zdalnego sterowania. (Patrz punkt Obsługa produktu)</p> <p>Jeżeli poziom wody w zbiorniku ociekowym przekracza 40 mm, zbiornik ociekowy należy wyjąć i opróżnić do zlewu.</p> <p>Wyczyścić tarczę metalową przy pomocy dołączonego miękkiego pędzla. (patrz rys.13) Patrz punkt „Konserwacja”, aby uzyskać procedurę krok po kroku.</p> |
| Nieprzyjemny zapach w czasie używania urządzenia. | Woda jest zabrudzona lub stęchła. | <p>Wyczyść urządzenie zgodnie z opisem w sekcji Konserwacja.</p> <p>W urządzeniu należy używać wyłącznie wody kranowej o twardości maksymalnej 10 dH.</p> |
| Efekt płomienia emituje zbyt dużo dymu. | Ustawienie efektu płomienia jest zbyt duże. | Przekręć pokrętko efektu płomienia „D” do minimum i powoli odkręcać o około ¼ obrotu. Odczekać chwilę, aby generator płomienia wprowadzi nowe ustawienie przed zwiększeniem płomienia. (patrz rys. 2) |
| Lampy główne nie działają, brak efektu ognia lub dymu. | Brak wody w zbiorniku. | <p>Wykonaj instrukcje opisane w rozdziale Konserwacja, „Napełnianie zbiornika na wodę”.</p> <p>Sprawdź, czy wtyczka jest prawidłowo podłączona do gniazda zasilania.</p> <p>Przełącznik „A” rys. 2 znajduje się w pozycji „ON” (Wł.) (I).</p> <p>Nacisnąć przełącznik „B” rys.2, aż do usłyszenia pojedynczego sygnału dźwiękowego, w celu uzyskania efektu płomienia.</p> |
| Kondensacja na szkle | <p>Ustawienie pary jest zbyt wysokie</p> <p>Szkło może być zimne podczas uruchamiania produktu</p> | <p>Zmniejszyć intensywność pary, przykręcając pokrętko „D”</p> <p>Zmniejszyć intensywność pary na niską i przekręcić pokrętko „C” na dużą prędkość. Uruchomić produkt w tym ustawieniu, dopóki ze szkła nie zniknie kondensacja pary, a następnie powrócić do preferowanego ustawienia.</p> <p>Powtórzyć procedurę w przypadku ponownej kondensacji</p> |

IMPORTANTE: ESTAS INSTRUÇÕES DEVEM SER LIDAS CUIDADOSAMENTE E CONSERVADAS PARA REFERÊNCIA FUTURA

Ao usar aparelhos elétricos, as precauções básicas devem ser seguidas para reduzir o risco de incêndio, choque elétrico e lesões a pessoas, incluindo os seguintes:

Se o aparelho estiver danificado, verifique com o fornecedor antes da instalação e funcionamento. Não utilize no exterior.

Não utilize nas proximidades de uma banheira, chuveiro ou piscina.

Não posicione o aparelho imediatamente abaixo de uma saída de tomada fixa ou caixa de ligação. Este aparelho pode ser utilizado por crianças com idade igual ou superior a 8 anos e pessoas com capacidades físicas, sensoriais ou mentais reduzidas ou com falta de experiência e conhecimentos se tiverem recebido supervisão ou instruções sobre a utilização do aparelho de forma segura e compreenderem os perigos envolvidos. As crianças não devem brincar com o aparelho. A limpeza e manutenção de uso não devem ser feitas por crianças sem supervisão.

Crianças com menos de 3 anos devem ser mantidas afastadas, a menos que sejam continuamente supervisionadas. As crianças com idades compreendidas entre os 3 anos e os 8 anos só devem ligar/desligar o aparelho desde que este tenha sido colocado ou instalado na sua posição normal de funcionamento prevista e tenham recebido supervisão ou instruções relativas à utilização do aparelho de forma segura e compreendam os riscos envolvidos. As crianças com idades compreendidas entre os 3 anos e os 8 anos não devem ligar a ficha, regular e limpar o aparelho ou executar manutenção de uso.

Não use este aparelho em série com um controlo térmico, um controlador de programa, um temporizador ou qualquer outro dispositivo que ligue automaticamente o calor, dado que existe um risco de incêndio quando o aquecedor é acidentalmente tapado ou deslocado.

Este aparelho não está equipado com um dispositivo para controlar a temperatura ambiente. Não usar este aparelho em quartos pequenos quando estiverem ocupados por pessoas que não sejam capazes de sair do quarto pelos seus próprios meios a menos que seja disponibilizada supervisão constante.

Assegure que mobília, cortinas ou outros materiais combustíveis não estão posicionados a menos de um metro do aparelho.

No caso de uma avaria, desligue o aparelho da tomada.

Desligue o aparelho da tomada quando não for necessário durante longos períodos.

Embora este aparelho esteja em conformidade com as normas de segurança, não recomendamos a sua utilização em tapetes de pelo profundo ou em tapetes de pelos longos.

O aparelho deve ser posicionado de forma a que a ficha fique acessível.

Se o cabo de alimentação estiver danificado, deve ser substituído pelo fabricante ou agente de assistência ou pessoa qualificada para evitar um perigo.

Mantenha o cabo de alimentação afastado da parte frontal do aparelho.

Aviso: De modo a evitar o sobreaquecimento, não tapar o aparelho. Não coloque material ou vestuário sobre o aparelho, nem obstrua a circulação de ar em torno do aparelho, por exemplo, por cortinas ou mobiliário, pois isto pode causar sobreaquecimento e um risco de incêndio.

Aviso: Para evitar um perigo devido a uma reinicialização inadvertida do corte térmico, este aparelho não deve ser fornecido através de um dispositivo de comutação externo, como um temporizador, ou ligado a um circuito que é ligado e desligado regularmente pela empresa de serviços públicos.

CUIDADO - Algumas partes deste produto podem ficar muito quentes e causar queimaduras. Deve ser prestada especial atenção a crianças e pessoas vulneráveis.

Informação geral

Desembale o aquecedor cuidadosamente e guarde a embalagem para possível uso futuro, no caso de mover ou devolver o aquecedor ao seu fornecedor. O controlo remoto, baterias e lâmpadas são embalados separadamente na caixa.

O aquecedor incorpora um efeito de chama, que pode ser usado com ou sem aquecimento, de modo a que o efeito reconfortante possa ser apreciado em qualquer época do ano. Usar o efeito da chama por si só requer pouca eletricidade.

Antes de ligar o aquecedor verifique se a tensão de alimentação é a mesma indicada no aquecedor.

Tenha em conta: Usado num ambiente onde o ruído de fundo é muito baixo, pode ser possível ouvir um som que está relacionado com funcionamento do efeito de chama. Tal é normal e não deve ser motivo de preocupação.

Ligação elétrica.

AVISO - ESTE APARELHO DEVE SER LIGADO À TERRA.

Este aquecedor deve ser utilizado somente com alimentação CA ~ e a tensão marcada no aquecedor deve corresponder à tensão de alimentação.

Antes de ligar, leia as advertências de segurança e as instruções de funcionamento.

POR FAVOR RETENHA ESTE GUIA DE USUÁRIO PARA REFERÊNCIA FUTURA

Não coloque os componentes plásticos de Opti-myst na máquina da loiça.

Somente retire a gaveta quando o tanque de água deve ser enchido ou uma lâmpada precisa ser mudada se não pode sem querer alterar o nível de água e a operação do efeito de chama.

Use apenas água da torneira neste aparelho com uma dureza máxima de 10 dH

Garantir sempre que o aparelho está assente num piso nivelado.

Se pretender não usar o aparelho durante mais de semana, drene a água do reservatório e do depósito da água e seque o reservatório.

Depois de instalado, nunca mova o aparelho nem o deite de costas, sem drenar a água do reservatório e o depósito da água.

O depósito de água, reservatório, a tampa do reservatório, tampa do depósito e os filtros de ar devem ser limpos uma vez a cada semana, particularmente em áreas de água dura.

O aparelho nunca deve ser operado se as lâmpadas não estiverem a funcionar.

As lâmpadas devem ser inspecionadas regularmente conforme descrito em “Manutenção” e “Mudar as lâmpadas”.

Informação técnica

N.º Modelo: 3 passos E

| Produção de calor | | 230 V | 240 V | |
|-----------------------------------|-----------|-------|-------|----|
| Produção nominal de calor | P_{Nom} | 0.9 | 1.0 | kW |
| Produção máxima de calor | $P_{mín}$ | 0.9 | 1.0 | kW |
| Produção máxima de calor contínuo | $P_{máx}$ | 0.9 | 1.0 | kW |
| Consumo auxiliar de eletricidade | | | | |
| No modo Espera | P_{Nom} | 0.87 | 0.93 | W |

controlo automático de temperatura do quarto e cronómetro semanal

Instruções de instalação

Os 3 passos podem ser alterados para se adequar a 3 estilos, o Triplo (vidro de 3 lados), o Duplo (vidro de 2 lados) e Relax (apenas o vidro da frente). O produto já vem como Relax. Para mudar entre modelos, fixe os copos de sucção ao vidro da frente e levante o vidro e de seguida baixe-o e afaste-o do produto, ver fig. 3a. Retirar a borracha no interior do vidro lateral na parte de baixo e de cima. Fazer deslizar a placa de metal lateral e o vidro lateral para fora, juntos, ver fig. 3b. Separar o vidro lateral e fazê-lo deslizar de volta para o lugar. Usar a borracha maior para fixar o vidro lateral no lugar encontrado nas instruções. Substituir o vidro da frente repetindo os passos acima na ordem inversa. Usar os copos de sucção para ajustar o vidro lateral de modo a ter ambos os vidros frontal e lateral corretamente encaixados. Garantir que existe uma folga de 300 mm entre a parte de cima da lareira e a parte inferior da prateleira. **Instalação na parede:** Construir uma plataforma para a unidade. Usando as dimensões na Fig1 instale o nível do fornecedor da parede e na posição desejada na parede usando 4 fixações apropriadas para a sua parede. Com duas pessoas sustenha a lareira pelos lados e suavemente manobre-a para a posição e suspenda-a a partir do braço de suporte da parede. Sob o aparelho existem quatro suportes ajustáveis fornecidos para nivelar, onde a base da abertura da lareira é elevada acima do nível da plataforma. Ao construir um painel frontal, assegurar-se de que há uma abertura na frente para que o ar entre no produto, veja Fig21. Isto é essencial para o efeito de chama. Garantir também que existe ventilação na parte de cima do produto, isto é essencial para que o aquecedor funcione corretamente, ver Fig20.

Antes de instalar este aparelho, recomendamos que:

1. Escolha qual o estilo de 3 passos que necessita e faça o ajuste necessário ao aparelho
2. Tenha a sua chaminé limpa por um limpa-chaminés competente.
3. Tenha o tubo da chaminé desbloqueado.

Este procedimento é importante para o funcionamento eficiente da unidade de aquecimento e também irá reduzir a perda de calor pela chaminé.

Instalação.

Assegure-se que todos os itens de empacotamento sejam removidos (leia todos avisos cuidadosamente).

Mantenha as componentes de empacotamento para possível futuro uso, caso se mudar ou se devolver o aparelho ao seu fornecedor.

Está agora pronto para instalar a lareira elétrica. Garantir que a unidade está **DESLIGADA**.

Usando as fixações corretas para a sua parede, fixe o suporte de parede à parede. Ligue o aquecedor a uma tomada com 13amp/240V. Certifique-se de que o cabo de alimentação sai na parte de trás do aquecedor, à direita ou à esquerda para se adequar à localização da tomada e que não fica preso por debaixo do aquecedor, dado que poderá ficar danificado.

Antes de usar os controles manuais primeiro encha o tanque de água (Veja 'Manutenção', 'Encher o depósito de água').

Operar o fogo

AVISO: A FALHA EM SEGUIR ESTAS INSTRUÇÕES DE OPERAÇÃO PODE RESULTAR EM LESÕES E/OU DANO.


Controlos manuais

Os controlos manuais de Opti-myst estão localizados na base do aparelho.

(Veja Fig. 2 para configuração do Controlo Manual)

Interruptor 'A': - Controla o fornecimento de eletricidade ao Aquecedor.

Nota: Este interruptor deve estar na posição 'ON' (I) para Chama funcionar com ou sem o aquecimento quando activado.

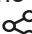
Interruptor 'B': Pressione  uma vez para ligar o efeito de chama. Isto será indicado por um “bip” audível. Apesar das luzes principais funcionarem de imediato irá levar mais uns 45 segundos antes do efeito de chama iniciar.

Pressione  para colocar o aquecedor em modo de espera. Tal será indicado com um aviso sonoro.

Controlo remoto

O controlo remoto vem embalado num saco com 2 pilhas AA. Levante a tampa da bateria na parte traseira do controlo remoto e insira as pilhas tomando nota da polaridade.

O telecomando já foi emparelhado com o seu produto durante a montagem de fábrica. Na eventualidade improvável do telecomando se desligar do produto ou caso obtenha um telecomando sobresselente, terá de realizar o processo de emparelhamento:

1. Com o produto ligado, coloque A na posição ON (Ligado) (I). Deverá ouvir um sinal sonoro
2. Mantenha premido o “Botão 6” até PAIR (Emparelhar) aparecer no ecrã
3. Aproxime o telecomando do produto onde se encontra o recetor . Ver a Fig. 3C
4. O produto começa a emitir um sinal sonoro e acende uma luz intermitente
5. Prima o “Botão 6” para concluir o processo de emparelhamento. O produto passa ao modo de espera.

Ligar o aparelho

Pressione e mantenha o botão ENTER por 3 segundos para ativar o controlo remoto. FIRE será mostrado e ON estará a piscar. Pressione ENTER para ligar o aparelho. Para desligar o aparelho pressione MENU para que FIRE esteja a piscar, pressione ENTER duas vezes.

Ajuste a Configuração da Chama

Com o controlo remoto ativado pressione uma vez. FIRE estará a piscar no visor. Pressione ENTER. A configuração atual da chama será exibida F1-F6 Pressione os botões UP e DOWN para ajustar a configuração. Depois de ter selecionado a sua configuração de chama pressione BACK duas vezes para sair do menu e voltar ao ecrã principal.

Ligar o aquecimento

Com o controlo remoto ativado pressionar MENU uma vez. FIRE estará a piscar no visor. Pressione ADV uma vez, HEAT estará a piscar. Pressione ENTER. A configuração atual de aquecimento será mostrada OFF LO HI. Pressione os botões UP e DOWN para ajustar a configuração. Depois de você tiver seleccionado a configuração da chama pressione ENTER.

Configurando o Termostato

A temperatura exibida no visor é a temperatura inicial do quarto. Esta é a temperatura que o aquecedor irá manter durante os períodos de aquecimento. Se a temperatura do quarto estiver acima desta temperatura então o aquecedor

não irá funcionar. O aquecedor sai da fábrica com esta temperatura fixa em 15°C o que representa uma temperatura de quarto tipicamente confortável. Se necessitar de uma temperatura de quarto diferente então pressione ou para cima ou para baixo no ecrã principal até que o visor demonstre a temperatura desejada.

Corte de segurança térmica

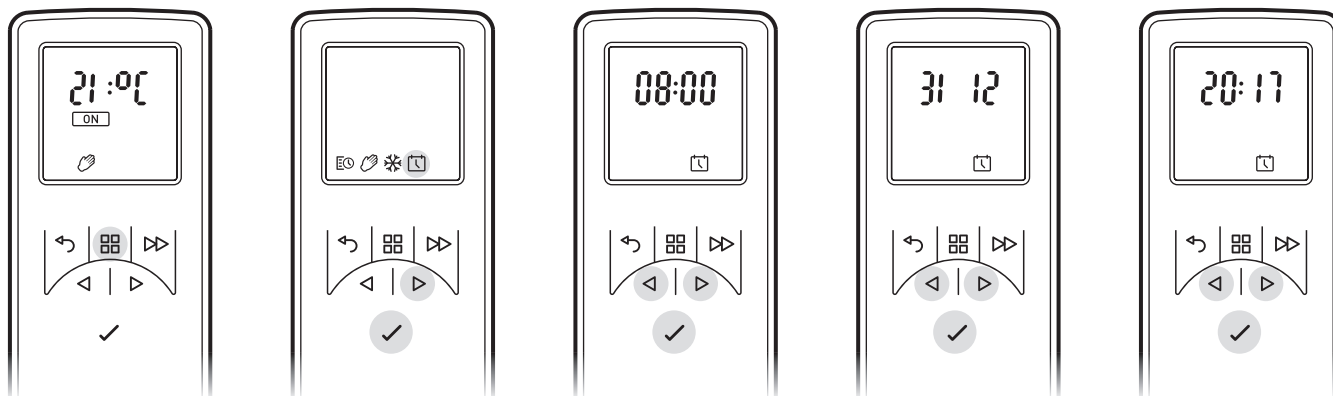
Um corte de segurança térmica está incorporado na ventoinha do aquecedor para prevenir danos devido a sobreaquecimento. Isto pode acontecer se a saída de calor estiver obstruída de alguma forma. Se o corte de segurança se ligar, retire a ficha do aquecedor da tomada por aproximadamente 10 minutos antes de voltar a ligar. Antes de voltar a ligar o aquecedor retire qualquer obstrução que possa estar a impedir a saída de aquecimento, depois continue a operar normalmente.

CUIDADO: Para evitar um perigo devido a uma reinicialização inadvertida do corte térmico, este aparelho não deve ser fornecido através de um dispositivo de comutação externo, como um temporizador, ou ligado a um circuito que é ligado e desligado regularmente pela empresa de serviços públicos.

Configurar a Data e Hora

Para configurar a data e hora no aquecedor;

1. Pressione o botão de Menu
2. Pressione o botão \wedge 4 vezes
3. Pressione Enter quando o ícone de Data & Hora estiver a piscar
4. Pressione Enter para definir a Hora
5. Pressione v e \wedge para definir a Hora, pressione Enter
6. Pressionar v e \wedge para acertar os minutos, pressionar Enter para confirmar a hora
7. Pressionar v e \wedge para acertar o dia, pressionar Enter
8. Pressionar v e \wedge para acertar o mês, pressionar Enter
9. Pressionar v e \wedge para acertar o ano, pressionar Enter para confirmar a data



Modos de Operação Remota

Temporizador de Utilizador: Proporciona maior flexibilidade ao usuário. Quatro intervalos de tempo estão disponíveis ao longo do dia e estes podem ser personalizados para cada dia da semana. Veja “Como ajustar os modos do cronómetro” para instruções em ajustar estes dos períodos de tempo padrão de fabrica & temperaturas.

Modo manual: Este modo aquece o quarto a temperatura que você define no controlo remoto.

Protecção Geada: Este modo irá manter a temperatura do quarto em 7°C. Este modo deve ser usado para proporcionar protecção contra geada conforme indicado pelo ícone de geada.

Escolher e Configurar um Modo

Temporizador Utilizador - Para reprogramar os Modos do Cronómetro do padrão de fabrica:

1. Pressionar o botão Menu
2. Pressione \wedge uma vez para o ícone de horário piscar. Pressione Enter
3. Pressione \wedge duas vezes e depois pressione Enter

Os dias da semana estão agora expostos no topo do ecrã

Dia 1 = Segunda

Dia 2 = Terça

Dia 3 = Quarta

Dia 4 = Quinta

Dia 5 = Sexta

Dia 6 = Sábado

Dia 7 = Domingo

4. Pressione Enter para Modificar Dia 1 ou Pressione ^ para navegar para o dia desejado e Pressione Enter para Selecionar
5. P1 será mostrado no ecrã
6. Pressione Enter para selecionar P1, para navegar para P2, P3 ou P4 pressione ^ e pressione Enter para selecionar
7. ON ficará destacado, pressione Enter para definir a Hora de se ligar
8. Pressione v ou ^ para ajustar a Hora de se ligar, pressione Enter para Confirmar
9. Pressione v ou ^ para ajustar o Minuto de se ligar, pressione Enter para Confirmar
10. Pressione v ou ^ para ajustar a configuração de Temperatura, pressione Enter para Confirmar
11. Pressionar v ou ^ para acertar a hora de desligar, pressionar Enter para confirmar
12. Pressionar v ou ^ para acertar os minutos de desligar, pressionar Enter para confirmar

Pressione Enter para modificar o Programa P2, siga as seguintes etapas 5-12, Pressione ^ para saltar para P3 Pressionar Enter para modificar o Programa P3, seguir os passos 5-12, pressionar ^ para saltar para P4 Pressione Enter para modificar o Programa P4, siga as seguintes etapas 5-12

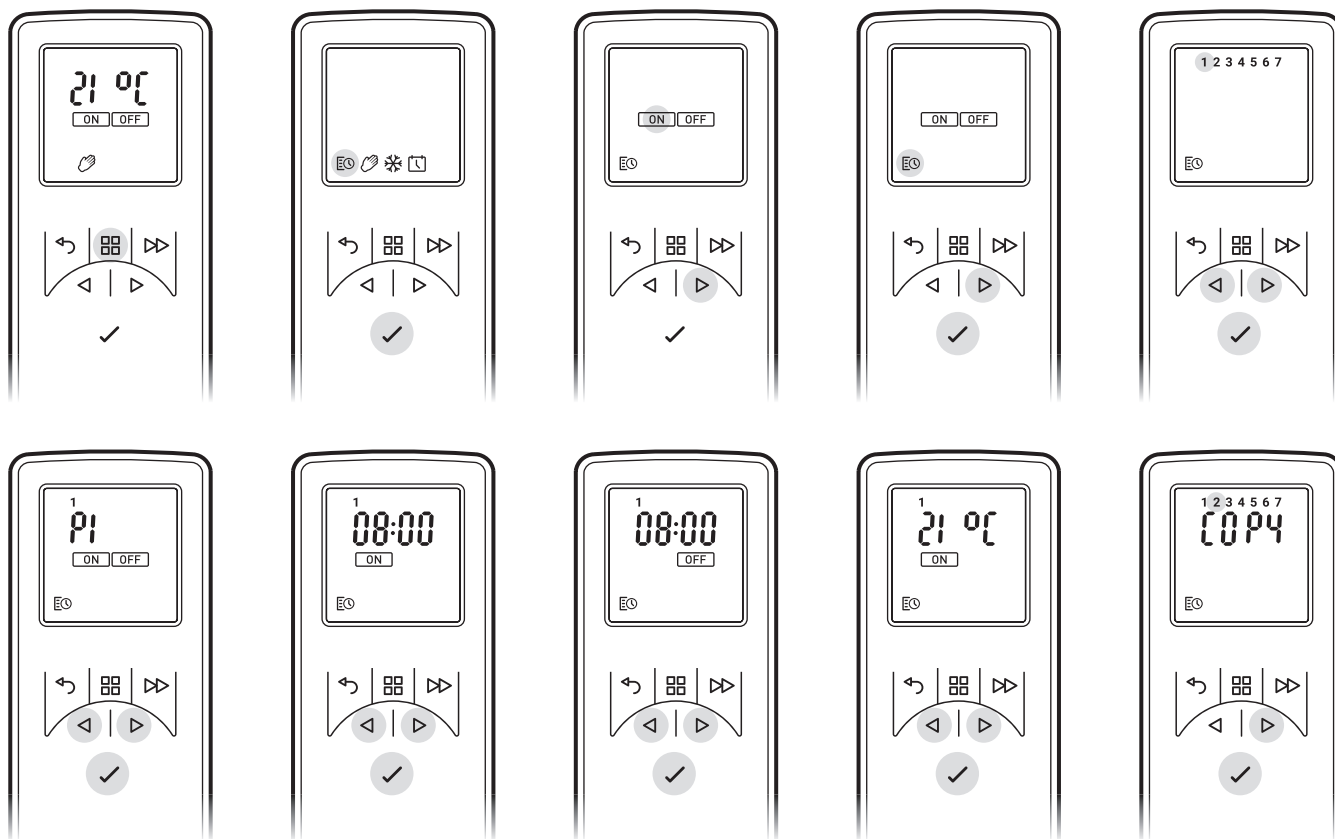
Para copiar o recentemente programado P1-P4 programas de aquecimento para outros dias pressione o botão Enter.

Copiar será exibido no ecrã

Para copiar para o próximo dia na sequência, pressione o botão ^. Para desmarcar o próximo dia na sequência pressione botão Enter.

Os dias da semana que estão selecionados serão exibidos no topo do ecrã. Os dias que foram desmarcados não serão visíveis (veja Diagramas).

Pressione Enter para confirmar, luz de fundo irá brilhar e irá voltar ao ecrã principal.

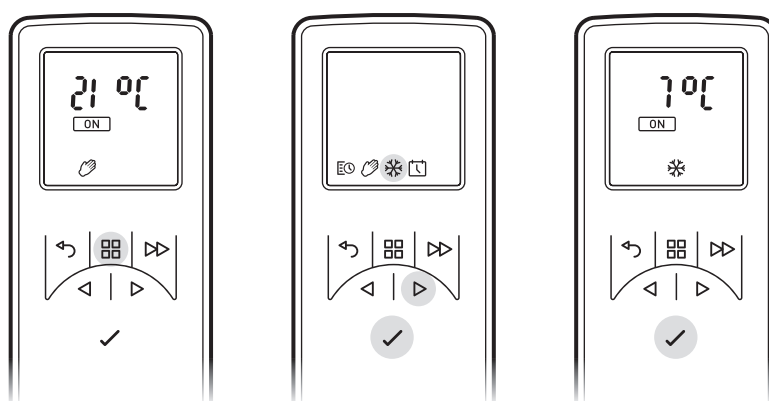


Modo manual - Para escolher o modo constante de aquecimento. Este modo ignora o Temporizador do Utilizador e mantém a temperatura exibida.

- Pressione o Botão Menu
- Pressione ^ duas vezes para destacar o ícone de Mão
- Pressione Enter para Confirmar
- Use v e ^ para ajustar a temperatura desejada

Proteger contra a congelação - O modo de protecção de geada mantém uma temperatura no quarto de 7°C durante um período de 24 horas. Este modo deve ser usado para disponibilizar protecção contra congelação conforme indicado pelo ícone Gelo.

- Pressione o botão de Menu
- Pressionar ^ três vezes para destacar o ícone floco de neve
- Pressione Enter para confirmar
- Pressione v ou ^ para sair deste modo e entrar em modo manual.



Obter o efeito de chama desejado

1. Usando o remoto controle pressione MENU, no ecrã estará piscando FIRE, pressione ENTER. A definição atual será exibida. Pressione ^ ou v para escolher entre F1 e F6. F1 sendo a configuração mais baixa e F6 sendo a configuração mais alta.
2. Normalmente as chamas parecem ser mais realísticas quando os controles de chama estão mais para baixo.
3. Dê tempo ao gerador de chama para reagir as mudanças que você fizer.
4. O aquecedor irá consumir menos água se o efeito de chama estiver no nível mais baixo.
5. Não incline ou movimente o aquecedor enquanto houver água no tanque ou reservatório.
6. Garantir que a lareira está num piso nivelado.

Personalizando a exibição

A temperatura máxima a ser alcançada no produto é 32°C Você tem a opção de reduzir este ponto fixo. Você também pode mudar °C para °F

1. Pressionar o botão Menu.
2. Pressionar o botão ADV duas vezes - SP piscará.
3. Pressionar Enter para confirmar.
4. Pressione v ou ^ para escolher entre °C e °F.
5. Pressionar Enter para confirmar.
6. Pressionar v ou ^ para escolher o seu ponto de definição de temperatura máxima.
7. Pressionar Enter para confirmar.
8. Pressione ATRÁS três vezes para voltar ao ecrã principal.

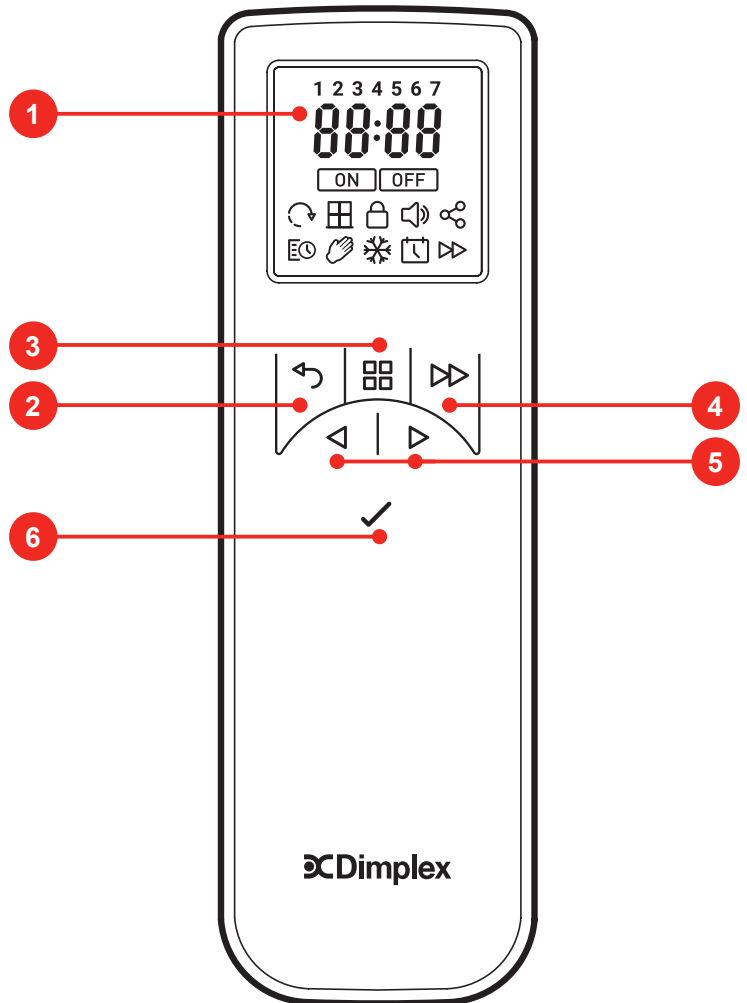
Início Adaptativo

Os componentes eletrônicos neste aparelho têm uma função de aprendizagem de quanto tempo leva para aquecer um quarto. Assim que aprende o quão rápido leva para aquecer um quarto, o aparelho é capaz de se ligar sozinho na altura certa para que consiga obter uma temperatura confortável no quarto quanto você quer. Por exemplo, se você se levanta as 7 da manhã, você normalmente iria ter que adivinhar quando ligar o aquecedor para que pré aqueça o quarto a horas. Dependendo do quão frio esteja no exterior, isto pode significar que o quarto ainda está frio quando você tem que se levantar, ou significar que já está quente meia hora antes da hora que era necessário estar. Início adaptativo significa que se selecionar 21°C às 7 da manhã, o aquecedor irá se ligar exatamente quando for necessário para que alcance o seu objetivo, estando ligado por períodos mais curtos quando a temperatura está boa, e assegurando que o quarto esteja bom e quentinho no inverno.

A função de Ligação Adaptativa irá ativar-se automaticamente quando você usar o Modo Temporizador.

Controlo remoto

- 1 Ecrã Principal
- 2 Botão "Back"
- 3 Botão "Menu"
- 4 Botão "Advance"
- 5 Setas "Acima e Abaixo"
- 6 Botão Enter



AVISO: DESLIGUE SEMPRE DA FONTE DE ENERGIA ANTES DE TENTAR QUALQUER MANUTENÇÃO

Instalar lâmpadas de substituição.

Se aparecer uma grande quantidade de fumo cinzento ou sem cor pode ser que uma ou mais lâmpadas não estejam a funcionar.

Pode verificar falha nas lâmpadas da seguinte forma.

1. Deixar o efeito de chama ligado, suavemente puxar completamente a prateleira para fora pelo guia. (Ver Fig. 3)
2. Verifique as lâmpadas de uma distância em frente da chama e observe qual a lâmpada que precisa ser trocada.
3. Coloque Interruptor 'A' na posição de 'OFF', e desligue o aquecedor da tomada.
4. Deixe o aparelho por 20 minutos para permitir que as lâmpadas arrefeçam antes de as remover.
5. Retire o depósito de água elevando-o e colocando numa banca.
6. Retire o reservatório conforme descrito na Secção de Limpeza.
7. Retirar a lâmpada defeituosa, suavemente elevando-a na vertical e desengatando os pinos do suporte da lâmpada, (Ver Fig.4 e 5). Substituir por uma lâmpada colorida de 12 V, 45 w, base Gu5.3, ângulo de 8° do feixe. Comprar as lâmpadas no seu fornecedor.
8. Com cuidado insira os dois pinos da nova lâmpada nos dois buracos do suporte da lâmpada. Empurre com firmeza no local. (Ver Fig. 4 e 5).
9. Substituir o reservatório e o depósito de água e cuidadosamente fechar a gaveta.
10. Ligue.

Encher o depósito de água.

Quando o depósito de água estiver vazio, os efeitos de chama e fumo desligam-se, e irá ouvir dois 'bips' audíveis. Siga estes passos para reabastecer:

1. Pressione o Interruptor 'A' para **(0)** (Ver Fig. 2)
2. Suavemente puxar a gaveta para fora o mais possível pela guia. (Ver Fig. 3)
3. Retire o depósito da água elevando-o e para fora.
4. Coloque o depósito da água na banca e retire a tampa, para a esquerda para abrir. (Ver Fig. 6)
5. Encha o depósito com **água da torneira com uma dureza máxima de somente 10 dH**. Isto é necessário para prolongar a vida da unidade de produção de chama e fumo. Em situações em que a água seja de maior dureza, a água deve ser filtrada (por exemplo com um filtro da Maxtra). **Não use um descalcificador.**
6. Aparafuse a tampa de volta, **não aperte demais.**
7. Volte a colocar o depósito no reservatório, com a tampa do depósito virada para baixo e a parte plana do depósito virada para fora.
8. Cuidadosamente volte a colocar a gaveta o mais possível.
9. Pressionar o interruptor "A" para a posição "ON" (I) (Ver Fig. 2)
10. Pressionar o interruptor "B" uma vez para ligar o efeito de chama. (Ver secção de controlo manual e Fig. 2)

Limpeza.

AVISO - DESLIGUE SEMPRE A FONTE DE ALIMENTAÇÃO ANTES DE LIMPAR O AQUECEDOR.

Nós recomendamos limpar as seguintes componentes uma vez em cada semana, particularmente em áreas com água dura:-

Depósito de água, Reservatório e Selo, Tampa do Reservatório, Tampa do depósito e selo, Filtro de ar.

Para limpeza geral, use um espanador suave e limpo - nunca use produtos de limpeza abrasivos. Para remover qualquer acumulação de poeira ou pelúcia, o acessório de escova macia de um aspirador deve ocasionalmente ser usado para limpar a grelha de saída do aquecedor do ventilador.

Depósito de água

1. Retire o depósito de água, conforme descrito anteriormente, coloque na banca e esvazie água.
2. Usando a escova fornecida gentilmente escove as superfícies interiores da tampa prestando atenção particular ao anel de borracha na ranhura exterior e o selo de borracha central.
3. Coloque uma pequena quantidade de líquido de lavar no depósito, coloque de novo a tampa e abane bem, retire tudo até que todos sinais do líquido de lavar desapareçam.
4. Reabastecer apenas com água da torneira, voltar a colocar a tampa, não apertar em excesso

Reservatório

1. Pressionar o interruptor "A" para a posição **(0)** "OFF"
2. Cuidadosamente puxe a gaveta para fora até ao máximo possível. (Ver Fig. 3)
3. Retire o depósito de água levantando para cima.
4. Desligue o conector eléctrico, localizado do lado esquerdo do reservatório, primeiramente desapertando os dois parafusos que prendem e cuidadosamente tirando o conector. (Ver Fig. 8)
5. Libertar as guias de bloqueio inferiores do reservatório rodando 90°, tal permite que o reservatório seja elevado completamente a partir da sua localização. (Ver Fig. 9)

6. Cuidadosamente levante as componentes do reservatório, tomando cuidado para manter nivelado para que não despeje água. Deixe as componentes na banca. (Ver Fig. 10)
7. Libertar as duas guias de bloqueio superior do reservatório rodando 90°, de seguida elevar para retirar a tampa do reservatório. (Ver Fig. 11)
8. Cuidadosamente incline, conforme demonstrado, para que o líquido drene para fora do reservatório. (Ver Fig. 12)
9. Colocar uma pequena quantidade de líquido detergente no reservatório e usando a escova fornecida, cuidadosamente limpar todas as superfícies incluindo o disco de metal e o vedante de borracha situado na parte de cima da superfície ranhurada. **Não retire os selos de borracha.** (Ver Fig. 13 e 14)
10. Quando limpo, enxague por completo o reservatório com água limpa.
11. Limpe a superfície da parte exterior do reservatório com a escova e lave completamente com água. (Ver Fig. 15 e 16)
12. Siga as etapas para trás para voltar a montar.

Filtro de ar.

1. Pressionar o interruptor "A" para a posição **(0)** "OFF" (Ver Fig. 2)
2. Cuidadosamente puxe a gaveta para fora até ao máximo possível. (Ver Fig. 3)
3. Retire o depósito e coloque no lavatório com a tampa virada para cima.
4. Gentilmente deslize para cima o suporte de plástico do filtro de ar. (Ver Fig. 17)
5. Retire a combinação do filtro do suporte de plástico.
6. Gentilmente enxague com água na banca e seque com uma toalha de tecido antes de colocar de volta.
7. Volte a colocar a combinação de filtro assegurando que o filtro preto está em contacto com o suporte de plástico. (Ver Fig. 18)
8. Volte a colocar o depósito.
9. Feche a gaveta por completo.
10. Pressionar o interruptor "A" para a posição "ON" (I) (Ver Fig. 2)

Informação Adicional

Reciclagem.



Para produtos elétricos vendidos na Comunidade Europeia. No final da vida útil dos produtos elétricos, estes não devem ser eliminados com o lixo doméstico. Recicle onde existam instalações. Consulte a Autoridade Local ou o revendedor para informações de reciclagem no seu país.

Assistência pós-venda.

O seu produto tem uma garantia de dois anos a partir da data de compra. Durante este período, responsabilizamo-nos por reparar ou substituir este produto gratuitamente (excluindo as lâmpadas e sujeito à disponibilidade) desde que tenha sido instalado e utilizado de acordo com estas instruções. Os direitos do utilizador ao abrigo desta garantia são adicionais aos direitos estatutários, que por sua vez não são afetados por esta garantia.

Solução de problemas

| Sintoma | Causa | Ação corretiva |
|---|---|---|
| O efeito de chama não irá iniciar. | <p>Ficha de alimentação não está ligada.</p> <p>Interruptor A está na posição 'ON' (I) , mas o interruptor B de modo não foi pressionado. (Ver Fig. 2)</p> <p>Nível de água baixo.</p> <p>Conector de voltagem baixa não está ligado apropriadamente. (Ver Fig. 8)</p> | <p>Verifique se a ficha está ligada à tomada de parede de forma correcta.</p> <p>Pressione Interruptor B uma vez para efeito de chama. (Ver Fig. 2)</p> <p>Verifique que o depósito de água está cheio e se há água no reservatório.</p> <p>Verifique se o conector está inserido de forma correcta. (Ver Fig. 8)</p> |
| O efeito de chama é muito baixo. | <p>A configuração do efeito de chama está muito baixa.</p> <p>A água no reservatório pode estar muito alta devido a gaveta ter sido aberta e fechada várias vezes, tanque de água removido várias vezes, ou a chama ter sido movida.</p> <p>Disco Metálico na base do Reservatório pode estar sujo (Veja Fig. 13)</p> | <p>Aumente o nível de chama usando o controlo remoto. (Veja Secção de Operação do Produto)</p> <p>Se o nível de água no reservatório for superior a 40 mm, o reservatório deve ser removido e esvaziado na banca.</p> <p>Limpe o Disco Metálico com a escova suave fornecida. (Veja Fig. 13) Veja 'Manutenção.' para o procedimento passo a passo.</p> |
| Mau cheiro quando a unidade é usada. | Água suja ou choca. | <p>Limpe a unidade conforme descrito sob manutenção.</p> <p>Use apenas água da torneira neste aparelho com uma dureza máxima de 10 dH</p> |
| O efeito de chama tem muito fumo. | Configuração de efeito de chama está muito alta. | Rode a roda de acionamento manual "D" para baixo para o mínimo e lentamente faça subir, cerca de 1/4 de volta de uma vez. Dê ao gerador de chama algum tempo para ajustar antes de aumentar. (Ver Fig. 2) |
| Lâmpadas principais não estão a funcionar e não há chama ou fumo. | Não há água no depósito. | <p>Siga as instruções sob Manutenção, "Encher o depósito de água".</p> <p>Verificar se a ficha está ligada corretamente à tomada de parede</p> <p>Interruptor "A", Fig. 2 está na posição "ON" (I).</p> <p>Pressionar o interruptor "B" fig. 2 até conseguir ouvir apenas um bip, para efeito de chama.</p> |
| Condensação no vidro | <p>A definição de humidade está muito alta</p> <p>O vidro pode estar frio durante o arranque do produto</p> | <p>Reduzir a intensidade de humidade rodando o botão de acionamento manual "D" para baixo</p> <p>Reduzir a intensidade da humidade para baixar e rodar o interruptor "C" para alta velocidade.</p> <p>Executar o produto sob esta definição até o vidro limpar e de seguida voltar à sua definição preferida.</p> <p>Repetir este procedimento caso a condensação volte</p> |

IMPORTANTE: ESTAS INSTRUCCIONES DEBEN LEERSE ATENTAMENTE Y CONSERVARSE COMO REFERENCIA PARA EL FUTURO.

Al utilizar aparatos eléctricos, deberán adoptarse en todo momento precauciones básicas para reducir riesgos de incendio, descarga eléctrica y lesiones personales, como por ejemplo:

Si el aparato está dañado, consulte al proveedor antes de la instalación y puesta en funcionamiento. No lo utilice en exteriores.

No utilizar cerca de un baño, ducha o piscina.

No situar el aparato inmediatamente debajo de una toma de corriente fija o cuadro de conexiones. Este aparato puede ser utilizado por niños de 8 años en adelante y personas cuyas capacidades físicas, sensoriales o mentales estén disminuidas o que carezcan de la experiencia y conocimientos suficientes para manejarlo, siempre que cuenten con las instrucciones o la supervisión sobre su uso de forma segura y comprendan los riesgos. Este aparato no es un juguete para niños. La limpieza y mantenimiento no deberán realizarse por niños sin supervisión.

No debe permitir que se acerquen niños menores de 3 años sin supervisión continua. Los niños de entre 3 y 8 años de edad solo deberán encender/apagar el aparato si este se ha colocado o instalado en su posición normal de funcionamiento y el niño está supervisado o ha recibido instrucciones sobre el uso seguro del aparato y comprende los peligros que existen. Los niños de entre 3 y 8 años de edad no deben enchufar, regular ni limpiar el aparato ni llevar a cabo tareas de mantenimiento.

No utilice este aparato en serie con un control de temperatura, controlador de programas, temporizador o ningún otro aparato que encienda automáticamente el calefactor, ya que existe riesgo de incendio si el aparato se cambia de posición o se cubre accidentalmente.

Este aparato no va equipado con un dispositivo para controlar la temperatura ambiente. No utilice este aparato en habitaciones pequeñas cuando estén ocupadas por personas que no sean capaces de salir de la habitación por sus propios medios, salvo que exista supervisión constante.

Asegúrese de que no haya muebles, cortinas u otros materiales combustibles a menos de un metro del aparato.

En caso de fallo, desenchufe el aparato.

Desenchufe el aparato cuando no se vaya a utilizar durante periodos prolongados.

Aunque este aparato cumple las normas de seguridad, no se recomienda su uso sobre alfombras de pelo espeso o alfombrillas de pelo largo.

Este aparato debe colocarse de modo que el enchufe quede accesible.

Si el cable eléctrico está dañado debe ser sustituido por el fabricante o agente de servicio o persona con cualificación similar para evitar peligros.

Mantenga el cable eléctrico apartado del frontal del aparato.

Advertencia: Para evitar que se produzca sobrecalentamiento, no cubra el aparato. No coloque ningún material ni prenda sobre el aparato, ni obstruya la circulación de aire alrededor del mismo, por ejemplo con cortinas o muebles, ya que la unidad podría sobrecalentarse y existiría riesgo de incendio.

Advertencia: Para evitar peligros debido al reinicio involuntario del desconector térmico, este aparato no debe recibir corriente de un dispositivo con interruptor externo, como puede ser un temporizador, ni conectarse a un circuito con conexión y desconexión automáticas por parte de la compañía eléctrica.

PRECAUCIÓN: algunas piezas de este producto pueden calentarse mucho y provocar quemaduras. Deberá prestarse especial atención si hay niños o personas vulnerables presentes.

Información general

Desembale el calefactor con cuidado y conserve el embalaje todo el tiempo que pueda para su posible utilización en el futuro, en caso de traslado o de devolución al proveedor. El control remoto, las baterías y las bombillas vienen empaquetadas por separado en la caja de embalaje.

El fuego incorpora un efecto de llama, que se puede utilizar con o sin calefacción, de modo que el efecto reconfortante se pueda disfrutar en cualquier momento del año. Para usar el efecto de llama en sí mismo solo se requiere poca electricidad.

Antes de conectar el calefactor, compruebe que el voltaje de la corriente de la red eléctrica sea el mismo que el indicado en el calefactor.

Tenga en cuenta lo siguiente: Si lo utiliza en un entorno con muy poco ruido de fondo, es posible que oiga algún sonido relacionado con el funcionamiento del efecto de llama. Se trata de algo normal y no debe preocuparle.

Conexión eléctrica,

ADVERTENCIA: ESTE APARATO NECESITA CONEXIÓN A TIERRA.

Este calefactor deberá utilizarse solo con una toma de corriente alterna y el voltaje indicado en la estufa deberá corresponder con el voltaje de la corriente del edificio.

Antes de poner el calefactor en funcionamiento, lea las advertencias de seguridad y las instrucciones de funcionamiento.

LE RECOMENDAMOS QUE CONSERVE ESTA GUÍA DEL USUARIO COMO REFERENCIA PARA EL FUTURO

No ponga los componentes de plástico del Opti-mystic en el lavavajillas.

Saque el cajón solamente cuando sea necesario llenar el tanque de agua o cuando haya que cambiar una bombilla; de lo contrario, alterará sin darse cuenta el nivel de agua y el funcionamiento del efecto de llama.

Utilice solamente agua de grifo en este aparato con un máximo de dureza de 10 dH.

Asegúrese siempre de que el aparato esté colocado sobre una superficie nivelada.

Si no va a utilizar el aparato durante más de una semana, vacíe el agua del cárter y el depósito y seque el cárter.

Una vez instalado, nunca mueva este aparato ni lo apoye sobre su parte posterior sin drenar el agua del sumidero y del tanque de agua.

El depósito de agua, cárter, tapa del cárter, tapón del depósito y todos los filtros de aire deben limpiarse cada semana, en especial en zonas con agua dura.

Nunca se debe poner en funcionamiento el aparato si las bombillas no funcionan.

Las bombillas deben inspeccionarse con regularidad, tal y como se describe en “Mantenimiento” y “Cambio de las bombillas”.

Información técnica

Modelo n.º: 3 pasos E

| Producción de calor | | 230 V | 240 V | |
|-------------------------------------|------------|-------|-------|----|
| Producción de calor mínima | P_{Dom} | 0.9 | 1.0 | kW |
| Producción de calor mínima | P_{min} | 0.9 | 1.0 | kW |
| Máxima producción de calor continuo | $P_{máx.}$ | 0.9 | 1.0 | kW |
| Consumo de electricidad auxiliar | | | | |
| En modo de espera | P_{Dom} | 0.87 | 0.93 | W |

control electrónico de la temperatura de la sala más temporizador semanal

Instrucciones de instalación

Los 3 pasos pueden cambiarse para adaptarse a 3 estilos, Tripple (cristal de tres lados), Duet (cristal de dos lados) y Relax (cristal delantero solamente). El producto ya viene como Relax. Para cambiar entre modelos, fije las ventosas al cristal frontal y levante el cristal, luego bájelo y retírelo del producto; consulte la figura 3a. Retire el cordón de goma del interior del cristal lateral, en la parte inferior y superior. Deslice la placa de metal lateral y el cristal lateral juntos para sacarlos; consulte la figura 3b. Separe el cristal lateral y vuelva a deslizarlo a su posición. Utilice el cordón de goma grande para fijar el cristal lateral en posición, como se describe en el paquete de instrucciones. Vuelva a colocar el cristal frontal repitiendo los pasos anterior en el orden inverso. Utilice las ventosas para ajustar el cristal lateral para que tanto el cristal frontal como el lateral encajen correctamente. Asegúrese de que haya una separación de 300 mm entre la parte superior del calefactor y el lado inferior de cualquier estante. **Instalación en la pared:** Construya una plataforma para asentar la unidad. Utilizando las dimensiones que aparecen en la figura 1, monte el soporte de pared nivelado y en la posición deseada sobre la pared; utilice las 4 fijaciones apropiadas para su pared. Entre dos personas, sujeten el calefactor por los lados para moverlo con suavidad hasta su posición y suspenderlo del soporte de pared. Debajo del aparato hay cuatro soportes ajustables para nivelación, donde la base de la abertura del calefactor se eleva por encima del nivel de la plataforma. Al construir la cubierta frontal, asegúrese de que haya una abertura en la parte delantera para que pueda entrar el aire; consulte la figura 21. Esto es fundamental para el efecto de llama. Además, asegúrese de que haya ventilación en la parte superior del producto, ya que es necesario para que el calefactor funcione correctamente; consulte la figura 20.

Antes de instalar este aparato recomendamos que:

1. Elija qué estilo de 3 pasos necesita y haga el ajuste necesario en el aparato.
2. Asegúrese de que un deshollinador competente limpie su chimenea.
3. Bloquee el conducto de la chimenea.

Este procedimiento es importante para el funcionamiento eficiente de la unidad de calefacción y también reducirá la pérdida de calor por la chimenea.

Instalación.

Asegúrese de retirar todos los elementos de embalaje (lea detenidamente las etiquetas de advertencia).

Conserve el embalaje para su posible utilización en el futuro, en caso de traslado o de devolución del aparato al proveedor.

Ahora está listo para instalar el fuego eléctrico. Asegúrese de que la unidad esté **APAGADA**.

Utilizando los elementos de fijación correctos para la pared, fije el soporte de pared. Conecte el hogar a una toma de corriente de 13 amp/240 voltios. Asegúrese de que la salida del cable de alimentación sea por la parte frontal del fuego, en la esquina izquierda o derecha según la ubicación de la toma de alimentación, y que no quede atrapado bajo el fuego de manera que pudiera sufrir daños.

Antes de usar los controles manuales, llene el tanque de agua (Consulte “Mantenimiento” y “Llenado del tanque de agua”).

Uso del fuego de chimenea

ADVERTENCIA: NO SEGUIR ESTAS INSTRUCCIONES DE FUNCIONAMIENTO PUEDE CAUSAR LESIONES Y/O DAÑOS.



Controles manuales

Los controles manuales de Opti-myst se encuentran en la base del dispositivo.

(Consulte la fig. 2 para ver el diseño de control manual)

Interruptor 'A': controla el suministro de electricidad al calefactor.


Nota: Este interruptor debe estar en la posición “Encendido” (I) para que el calefactor funcione con o sin calor cuando se activa.

Interruptor 'B': púlselo  una vez para encender el efecto de la llama. Esto se indicará con un “pitido” sonoro. Aunque las luces principales funcionan inmediatamente, pasarán otros 45 segundos antes de que comience el efecto de la llama. Pulse  para poner el fuego eléctrico en modo de espera. Esto se indicará con un “pitido”.

Mando a distancia

El control remoto está empaquetado junto a 2 pilas AA en una bolsa. Levante la tapa de las pilas de la parte posterior del control remoto e inserte las pilas teniendo en cuenta la polaridad.

El control remoto ya ha sido emparejado con su producto durante el ensamblado en fábrica. En el improbable caso de que el control remoto se desconecte del producto, o que usted obtenga un control remoto de repuesto, necesitará completar el proceso de emparejado.

1. Con el producto enchufado, presione el interruptor A a la posición 'ON' (ENCENDIDO) (I). Debería escuchar un pitido audible.
2. Presione y mantenga presionado el 'Button 6' (Botón 6) hasta que aparezca la palabra 'PAIR' (EMPAREJAR) en la pantalla.
3. Acerque el control remoto al producto, donde se encuentra el receptor . Consulte la Fig. 3C
4. El producto comenzará a emitir pitidos y a parpadear
5. Presione 'Button 6' (Botón 6) para completar el proceso de emparejado. El producto pasará a modo de espera.

Encender el aparato

Mantenga pulsado el botón ENTER durante 3 segundos para activar el control remoto. Se mostrará FIRE (Fuego) y ON (Encendido) parpadeará. Pulse ENTER para encender el aparato. Para apagar el dispositivo, pulse MENU para que FIRE (fuego) esté parpadearando y, a continuación, pulse ENTER dos veces.

Ajuste la configuración de la llama

Con el control remoto activado, pulse una vez. FIRE (fuego) parpadeará en la pantalla. Pulse ENTER. La configuración actual de la llama se mostrará entre F1 y F6. Pulse los botones UP y DOWN para ajustar los valores. Después de haber seleccionado su configuración de llama, pulse BACK dos veces para salir del menú y volver a la pantalla de inicio.

Encender el calor

Con el control remoto activado, pulse MENU una vez. FIRE (fuego) parpadeará en la pantalla. Pulse ADV una vez y HEAT (calor) parpadeará. Pulse ENTER. La configuración actual de calor mostrará OFF (apagado) LO (bajo) y HI (alto). Pulse los botones UP y DOWN para ajustar los valores. Después de haber seleccionado su configuración de llama, pulse ENTER.

Configuración del termostato

La temperatura que se muestra en la pantalla es el punto de ajuste de la temperatura ambiente. Esta es la temperatura que el calefactor mantendrá durante los períodos de calentamiento. Si la temperatura ambiente es superior a esta temperatura, el calefactor no funcionará. El calefactor sale de la fábrica con esta temperatura establecida en 15 °C que representa la temperatura ambiente habitualmente cómoda. Si necesita una temperatura ambiente diferente, pulse arriba o abajo en la pantalla de inicio hasta que la pantalla muestre la temperatura que necesite.

Desconector térmico de seguridad

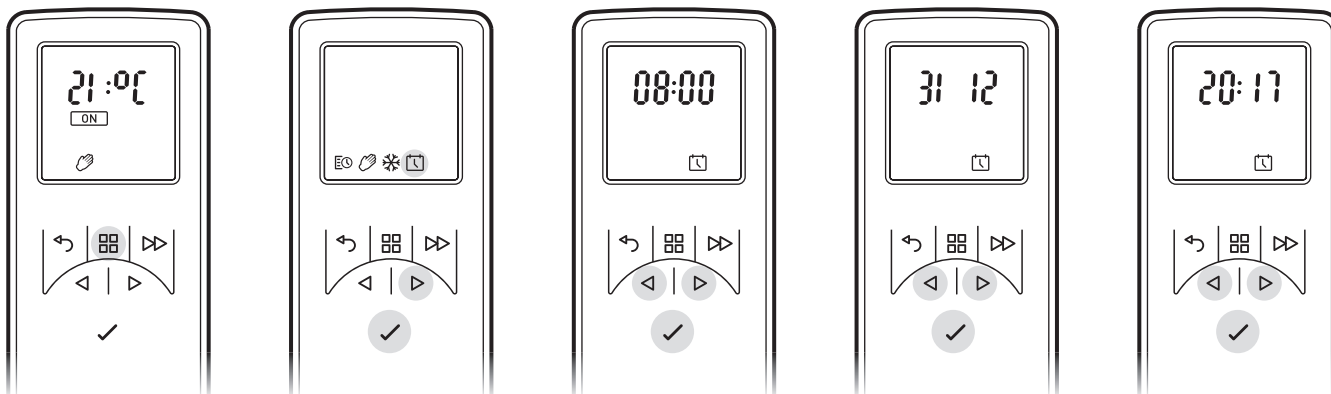
Se ha incorporado un desconector térmico de seguridad en el calefactor del ventilador para evitar daños por sobrecalentamiento. Esto puede suceder si la salida de calor está restringida de alguna manera. Si se activa el desconector, desenchufe el calefactor de la toma de corriente y espere aproximadamente 10 minutos antes de volver a conectarlo. Antes de volver a encender el calefactor, elimine cualquier obstrucción que pueda estar restringiendo la salida de calor y después continúe con el funcionamiento normal.

PRECAUCIÓN: Para evitar peligros debido al reinicio involuntario del desconector térmico, este aparato no debe recibir corriente de un dispositivo con interruptor externo, como puede ser un temporizador, ni conectarse a un interruptor con conexión y desconexión automáticas por parte de la compañía eléctrica.

Configurar la fecha y la hora

Para establecer la fecha y la hora en el calefactor;

1. Pulse el botón Menú
2. Pulse el botón ^ 4 veces
3. Pulse Enter cuando parpadee el icono de Fecha y hora
4. Pulse Enter para configurar la hora
5. Pulse v y ^ para configurar la hora y pulse Enter
6. Pulse v y ^ para configurar los minutos y pulse Enter para confirmar la hora
7. Pulse v y ^ para configurar el día y pulse Enter
8. Pulse v y ^ para configurar el mes y pulse Enter
9. Pulse v y ^ para configurar el año y pulse Enter para confirmar la fecha



Modos de funcionamiento remoto

Temporizador de usuario: ofrece la mayor flexibilidad al usuario. Hay cuatro espacios de tiempo disponibles durante todo el día que se pueden personalizar para cada día de la semana. Consulte "Cómo ajustar los modos del temporizador" para obtener instrucciones sobre cómo ajustar estos espacios desde los períodos y las temperaturas predeterminados de fábrica.

Modo manual: Este modo calienta la habitación a la temperatura a la que ha configurado el control remoto.

Protección contra las heladas: Este modo mantendrá una temperatura ambiente de 7 °C. Este modo se debe usar para proporcionar protección contra las heladas tal como lo indica el icono de escarcha.

Elegir y configurar un modo

Temporizador de usuario: para volver a programar los modos de temporizador predeterminados de fábrica:

1. Pulse el botón Menú
2. Pulse ^ una vez para programar el icono que parpadea. Pulse Enter
3. Pulse ^ dos veces y, a continuación, pulse Enter

Los días de las semanas se mostrarán en la parte superior de la pantalla

- Día 1 = Lunes
- Día 2 = Martes
- Día 3 = Miércoles
- Día 4 = Jueves
- Día 5 = Viernes
- Día 6 = Sábado
- Día 7 = Domingo

4. Pulse Enter para modificar el Día 1 o pulse ^ para navegar hasta el día deseado y pulse Enter para seleccionarlo
5. P1 se mostrará en la pantalla
6. Pulse Enter para seleccionar P1, para navegar a P2, P3 o P4 pulse ^ y pulse Enter para seleccionarlo
7. ON (encendido) se verá destacada, pulse Enter para configurar el tiempo de encendido
8. Pulse v o ^ para ajustar la hora y pulse Enter para confirmar
9. Pulse v o ^ para ajustar los minutos y pulse Enter para confirmar
10. Pulse v o ^ para ajustar el ajuste de temperatura y pulse Enter para confirmar
11. Pulse v o ^ para ajustar la hora de apagado y pulse Enter para confirmar
12. Pulse v o ^ para ajustar los minutos de apagado y pulse Enter para confirmar

Pulse Enter para modificar el Programa P2, siga los pasos 5-12 y pulse ^ para pasar a P3

Pulse Enter para modificar el Programa P3, siga los pasos 5-12 y pulse ^ para pasar a P4

Pulse Enter para modificar el Programa P4, siga los pasos 5-12

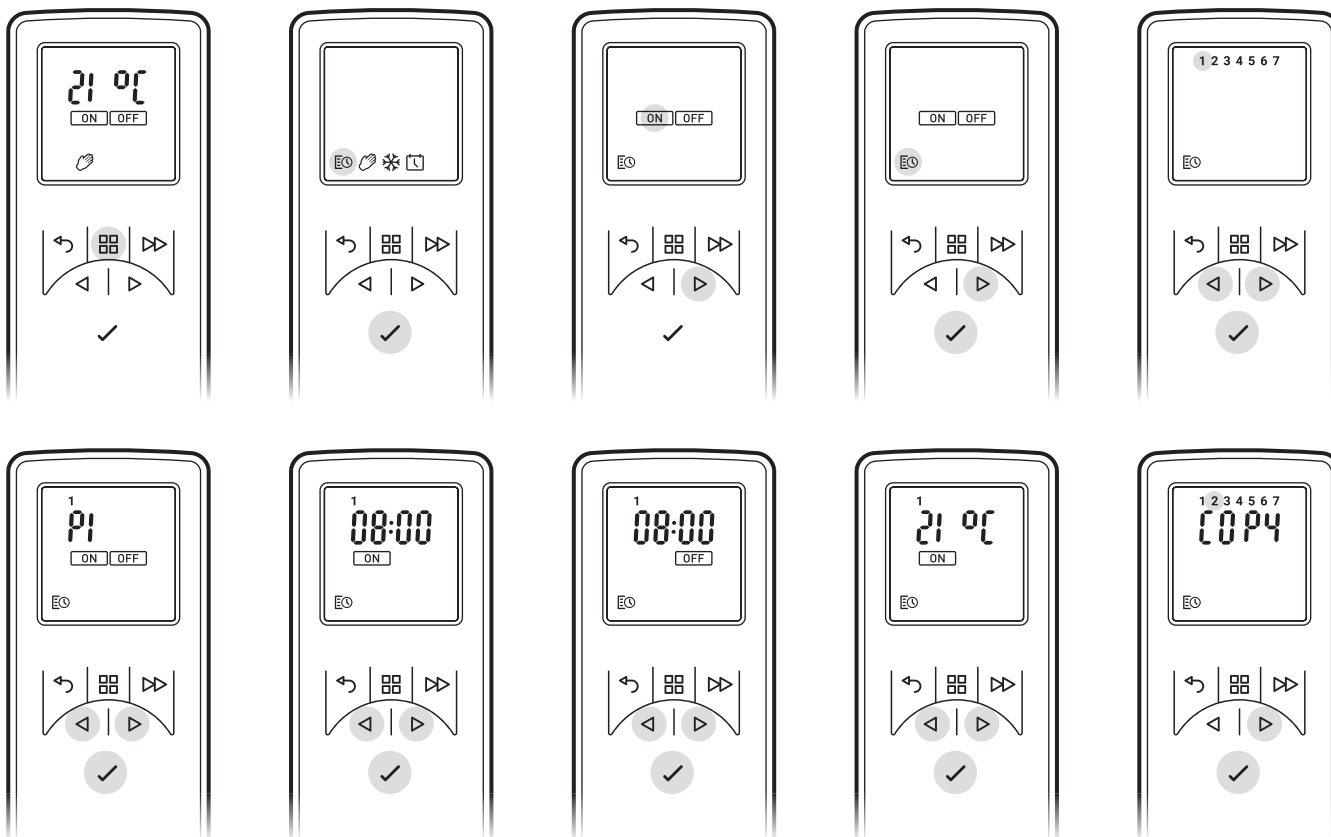
Para copiar programas de calefacción P1-P4 recientemente programados a otros días, pulse el botón Enter.

Copy (copiar) se mostrará en la pantalla

Para copiar los ajustes al día siguiente en secuencia, pulse el botón ^. Para anular la selección del día siguiente en secuencia, pulse Botón Enter.

Los días de la semana que se seleccionen se mostrarán en la parte superior de la pantalla. Los días que se hayan desmarcado no serán visibles (ver Diagramas).

Pulse Enter para confirmar, la retroiluminación parpadeará y volverá a la pantalla de inicio.

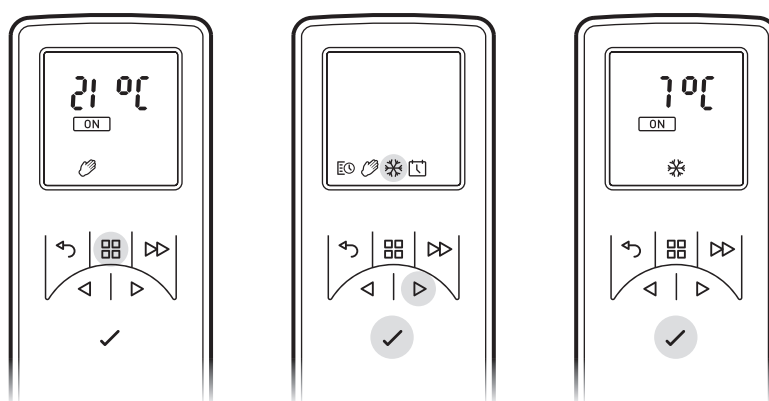


Modo manual - Para elegir un modo de calor constante. Este modo ignora el temporizador de usuario y mantiene la temperatura mostrada.

- Pulse el botón Menú
- Pulse ^ dos veces para resaltar el icono de la Mano
- Pulse Enter para confirmar
- Use v y ^ para ajustar la temperatura deseada

Protección contra las heladas - El modo de protección contra heladas mantiene una temperatura ambiente de 7 °C durante un período de 24 horas. Este modo se debe usar para proporcionar protección contra las heladas tal como lo indica el icono de escarcha.

- Pulse el botón Menú
- Pulse ^ tres veces para resaltar el icono del copo de nieve
- Pulse Enter para confirmar
- Pulse v o ^ para salir de este modo y entrar al modo manual.



Obtener el efecto de llama deseado

1. Con el control remoto pulse MENU, FIRE (fuego) parpadeará en la pantalla; pulse ENTER. Se mostrará la configuración actual. Pulse ^ o v para alternar entre F1 y F6. F1 es la configuración más baja y F6 es la configuración más alta.
2. En general, las llamas parecen más realistas cuando se baja el control de la llama.
3. Dé tiempo al generador de llama para reaccionar a los cambios que pueda hacer.
4. El calefactor usará menos agua si el efecto de la llama se establece en un nivel inferior.
5. No incline ni mueva el calefactor mientras haya agua en el tanque o sumidero.
6. Asegúrese de que el calefactor esté situado sobre una superficie nivelada.

Personalización de la pantalla

El punto de ajuste de temperatura máxima en el producto es de 32 °C. Tiene la opción de reducir este punto de ajuste. También puede cambiar de °C a °F.

1. Pulse el botón Menú.
2. Pulse el botón ADV dos veces: parpadeará SP.
3. Pulse Enter para confirmar.
4. Pulse v o ^ para elegir entre °C y °F.
5. Pulse Enter para confirmar.
6. Pulse v o ^ para elegir el punto de ajuste de temperatura máxima.
7. Pulse Enter para confirmar.
8. Pulse BACK (atrás) tres veces para volver a la pantalla de inicio.

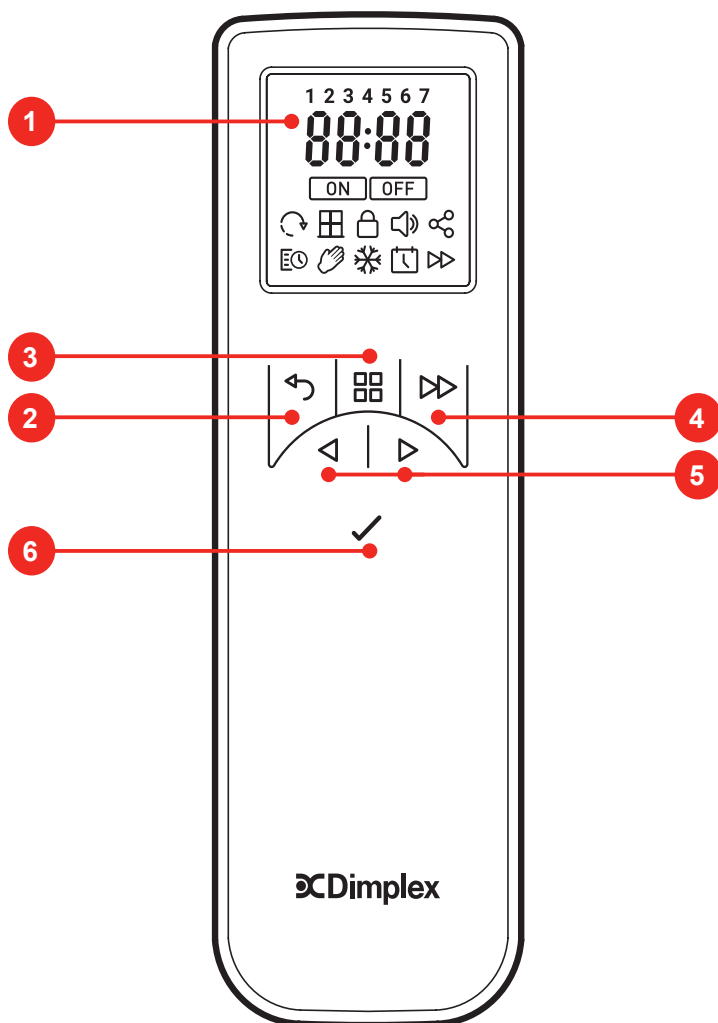
Inicio adaptativo

La electrónica incorporada en este aparato tiene una función de aprendizaje en lo que se refiere a cuánto tiempo lleva calentar una habitación. Después de haber aprendido lo rápido que puede calentar la habitación, el aparato puede encenderse en el momento justo para que la habitación alcance una temperatura confortable cuando lo desee. Por ejemplo, si se levanta a las 7 a. m., normalmente tendría que adivinar cuándo encender la calefacción para precalentar la habitación a tiempo. Dependiendo del frío que haya fuera, esto podría significar que la habitación todavía esté fría cuando haya que levantarse de la cama, o que haya estado caliente durante media hora antes de lo necesario. El Inicio adaptativo significa que si selecciona 21°C a las 7 a. m., el calefactor se encenderá exactamente cuando sea necesario para cumplir con este objetivo, estará funcionando durante periodos de tiempo más cortos cuando el clima sea templado y garantizará que la habitación esté agradable y cálida en el invierno.

La función Inicio adaptativo se activará automáticamente cuando utilice el modo Temporizador.

Mando a distancia

- 1 Pantalla de visualización
- 2 Botón "Back" (atrás)
- 3 Botón "Menú"
- 4 Botón "Advance" (avanzar)
- 5 Flechas Arriba y Abajo
- 6 Botón "Enter"



ADVERTENCIA: DESCONECTE LA UNIDAD DE LA TOMA DE ALIMENTACIÓN SIEMPRE QUE VAYA A REALIZAR TAREAS DE MANTENIMIENTO

Colocación de bombillas de sustitución.

Si una gran cantidad del humo parece gris o incoloro, es posible que una o más bombillas hayan fallado. Puede verificar el fallo de la bombilla de la siguiente manera.

1. Dejando el efecto de llama activado, tire suavemente de la lengüeta del cajón para sacarlo completamente. (Consulte la fig. 3)
2. Mire las bombillas desde una distancia frente al fuego y observe qué bombilla necesita cambiarse.
3. Ponga el interruptor “A” en la posición “OFF” y desenchufe el hogar de la red eléctrica.
4. Deje el aparato durante 20 minutos para permitir que las bombillas se enfríen antes de retirarlas.
5. Retire el tanque de agua levantándolo hacia arriba y colóquelo en un fregadero.
6. Retire el sumidero como se describe en la sección de limpieza.
7. Retire la bombilla defectuosa levantándola verticalmente con suavidad y desenganchando las clavijas de su soporte (consulte las figuras 4 y 5). Sustitúyala por una bombilla original de color de 12 V, 45 W, base Gu5.3 y ángulo de haz de 8°. Compre las bombillas a su proveedor.
8. Inserte con cuidado las dos patillas/clavijas de la nueva bombilla en los dos orificios del portalámparas. Empuje la bombilla firmemente en su lugar. (Consulte las figuras 4 y 5).
9. Vuelva a colocar el sumidero y el tanque y cierre el cajón con cuidado.
10. Enciéndalo.

Llenado del tanque de agua.

Cuando el tanque de agua está vacío, el efecto de llama y humo se apaga y escuchará 2 pitidos sonoros. Siga estos pasos para rellenarlo:

1. Ponga el interruptor “A” en **(0)** (Consulte la fig. 2)
2. Con suavidad, saque el cajón todo lo que pueda tirando de la lengüeta. (Consulte la fig. 3)
3. Retire el tanque de agua levantándolo hacia arriba y hacia afuera.
4. Coloque el tanque de agua en el fregadero y retire la tapa, en sentido contrario a las agujas del reloj para abrirla. (Consulte la fig. 6)
5. Llene el tanque **solamente con agua de grifo de un máximo de dureza de 10 dH**. Esto es necesario para prolongar la vida de la unidad productora de llama y humo. En aquellas situaciones en las que el agua tenga mayor dureza, se debe filtrar (por ejemplo, con un filtro Maxtra). **No utilice un descalcificador.**
6. Vuelva a enroscar el tapón; **no lo apriete demasiado.**
7. Vuelva a colocar el tanque de agua en el sumidero, con el tapón del tanque hacia abajo y el lado plano del tanque hacia afuera.
8. Empuje suavemente el cajón hacia adentro tanto como sea posible.
9. Ponga el interruptor “A” en la posición “ON” (I) (Consulte la fig. 2)
10. Pulse el interruptor “B” una vez para encender el efecto de llama. (Consulte la sección sobre el control manual y la figura 2)

Limpieza.

ADVERTENCIA: DESCONECTE LA UNIDAD DE LA TOMA DE ALIMENTACIÓN SIEMPRE QUE VAYA A LIMPIAR EL CALEFACTOR.

Recomendamos limpiar los siguientes componentes cada semana, especialmente en áreas de aguas duras:

Tanque de agua, sumidero y junta de estanqueidad, tapa del sumidero, tapa y junta del tanque, filtro de aire.

Para la limpieza general, utilice un paño suave y limpio; nunca utilice limpiadores abrasivos. Para eliminar cualquier acumulación de polvo o suciedad, puede utilizar ocasionalmente el cepillo suave del aspirador para la limpieza de la rejilla de salida del ventilador.

Tanque de agua

1. Retire el tanque de agua, como se describe anteriormente, colóquelo en el fregadero y vacíe el agua.
2. Con el cepillo suministrado, frote suavemente las superficies internas de la tapa prestando especial atención al anillo de goma de la ranura exterior y a la junta de goma central.
3. Ponga una pequeña cantidad de líquido de lavado en el tanque, vuelva a colocar la tapa y agite bien, enjuague hasta que desaparezcan todos los restos de líquido de lavado.
4. Rellénelo solamente con agua de grifo filtrada; vuelva a colocar la tapa, sin apretarla demasiado.

Sumidero

1. Pulse el interruptor “A” hacia la posición “OFF” **(0)**.
2. Con suavidad, extraiga el cajón todo lo que sea posible. (Consulte la fig. 3)
3. Retire el tanque de agua levantándolo hacia arriba.
4. Suelte el conector eléctrico, ubicado en el lado izquierdo del sumidero, aflojando primero los dos tornillos de retención

- y retirando el conector con suavidad. (Consulte la fig. 8)
- Suelte las lengüetas de bloqueo inferiores del sumidero girándolas 90°; de este modo se puede levantar el sumidero por completo de su ubicación. (Consulte la fig. 9)
 - Levante suavemente el sumidero, teniendo cuidado de mantenerlo nivelado para no derramar agua. Deje el conjunto en el fregadero. (Consulte la fig. 10)
 - Suelte las lengüetas de bloqueo superiores del sumidero girándolas 90° y, a continuación, levante la tapa del sumidero. (Consulte la fig. 11)
 - Inclínelo cuidadosamente, como se muestra, para que el líquido salga del sumidero. (Consulte la fig. 12)
 - Coloque una pequeña cantidad de líquido de lavado en el sumidero y, utilizando el cepillo suministrado, limpie suavemente todas las superficies en el sumidero, incluidos el disco de metal y el anillo de goma ubicados en la superficie ranurada superior. **No retire las juntas de goma.** (consulte las figuras 13 y 14)
 - Cuando lo haya limpiado, enjuague bien el sumidero con agua limpia.
 - Limpie la superficie de salida de la tapa del sumidero con el cepillo y enjuáguela a fondo con agua. (Consulte las figuras 15 y 16)
 - Invierta los pasos anteriores para volver a montarlo.

Filtro de aire.

- Pulse el interruptor 'A' hacia la posición 'OFF' (0) (consulte la fig. 2)
- Con suavidad, extraiga el cajón todo lo que sea posible. (Consulte la fig. 3)
- Retire el tanque y colóquelo en un fregadero con la tapa hacia arriba.
- Deslice suavemente hacia arriba el soporte de plástico del filtro de aire. (Consulte la fig. 17)
- Retire el conjunto del filtro del soporte de plástico.
- Enjuáguelo suavemente con agua en el fregadero y séquelo con una toalla de tela antes de volver a ponerlo.
- Vuelva a poner el filtro asegurándose de que el filtro negro del recorrido esté en contacto con el soporte de plástico. (Consulte la fig. 18)
- Vuelva a colocar el tanque.
- Cierre el cajón completamente.
- Ponga el interruptor 'A' en la posición 'ON' (I) (Consulte la fig. 2)

Información adicional

Reciclaje



Para productos eléctricos vendidos dentro de la Comunidad Europea. Al finalizar la vida útil de los productos eléctricos, estos no deben desecharse junto a los residuos domésticos. Si existen, utilice los servicios de reciclaje. Póngase en contacto con las autoridades locales o con su vendedor para obtener información sobre reciclado en su país.

Servicio postventa.

Su producto tiene dos años de garantía a partir de la fecha de compra. Durante este periodo, nos comprometemos a reparar o cambiar el producto sin cargo alguno (con excepción de las bombillas y según disponibilidad), siempre que se haya instalado y puesto en funcionamiento de conformidad con estas instrucciones. Sus derechos según esta garantía son adicionales a sus derechos legalmente establecidos, que, a su vez, no se ven afectados por esta garantía.

Solución de problemas

| Síntoma | Causa | Acción correctiva |
|---|--|---|
| El efecto de llama no se iniciará. | <p>El enchufe de red no está enchufado.</p> <p>El interruptor A está en la posición "ON" (I) pero no se ha pulsado el modo de Interruptor B. (Consulte la fig. 2)</p> <p>Nivel de agua bajo.</p> <p>El conector de bajo voltaje no está bien conectado. (Consulte la fig. 8)</p> | <p>Compruebe que el enchufe esté conectado correctamente a la toma de pared.</p> <p>Pulse el interruptor B una vez para obtener el efecto de llama. (Consulte la fig. 2)</p> <p>Verifique que el tanque de agua esté lleno y que haya agua en el sumidero.</p> <p>Verifique que el conector esté insertado correctamente. (Consulte la fig. 8)</p> |
| El efecto de la llama es muy bajo. | <p>El efecto de llama está ajustado muy bajo.</p> <p>Es posible que el nivel de agua del sumidero sea demasiado alto debido a que el cajón se haya abierto y cerrado varias veces, a que se haya retirado el tanque de agua varias veces o que se haya desplazado de su lugar el fuego.</p> <p>El disco de metal en la base del sumidero podría estar sucio (consulte la fig. 13).</p> | <p>Aumente el nivel de llama utilizando el control remoto. (Consulte la sección Uso del producto)</p> <p>Si el nivel de agua en el sumidero es mayor de 40 mm, se debe retirar el sumidero y vaciarlo en el fregadero.</p> <p>Limpie el disco de metal con el cepillo suave suministrado. (Consulte la fig. 13) Consulte "Mantenimiento" para ver un procedimiento paso a paso.</p> |
| Hay un olor desagradable cuando se utiliza la unidad. | Agua sucia o rancia. | <p>Limpie la unidad como se describe en Mantenimiento.</p> <p>Utilice solamente agua del grifo en este aparato con un máximo de dureza de 10 dH.</p> |
| El efecto de la llama tiene demasiado humo. | El ajuste del efecto de la llama es demasiado alto. | Gire el mando de control del efecto llama "D" hacia abajo hasta el mínimo y lentamente súbalo, aproximadamente ¼ de vuelta cada vez. Dele algo de tiempo al generador de llama para que se adapte antes de incrementar el valor. (Consulte la fig. 2) |
| Las bombillas principales no funcionan y no hay llamas ni humo. | No hay agua en el tanque de agua. | <p>Siga las instrucciones de "Mantenimiento", "Llenado del tanque de agua".</p> <p>Compruebe que el enchufe esté conectado correctamente a la toma de pared.</p> <p>El interruptor "A" (figura 2) está en la posición "ON" (I).</p> <p>Pulse el interruptor "B" (fig. 2) hasta que oiga solamente un pitido, para obtener el efecto de llama.</p> |
| Condensación en el cristal. | <p>El ajuste de nebulización es demasiado alto</p> <p>El cristal podría estar frío durante el arranque del aparato.</p> | <p>Reduzca la intensidad de nebulización girando el mando de control "D" hacia abajo.</p> <p>Reduzca la intensidad de nebulización al nivel bajo y ponga el interruptor "C" en velocidad alta.</p> <p>Ponga en funcionamiento el producto con este ajuste hasta que el cristal se vuelva claro y, a continuación, vuelva a su ajuste preferido.</p> <p>Repita este procedimiento si se vuelve a producir condensación</p> |

VIKTIGT: LÄS DENNA BRUKSANVISNING NOGA OCH SPARA DEN FÖR FRAMTIDA BRUK

När du använder elektriska apparater måste alltid grundläggande försiktighetsåtgärder vidtas för att minska risken för eldsvåda, elstötar och personskador. Dessa åtgärder omfattar följande:

Kontakta leverantören före installation och användning om apparaten är skadad.

Använd inte utomhus.

Använd inte i omedelbar närhet av badkar, dusch eller swimmingpool.

Placera inte denna apparat omedelbart nedanför ett fast vägguttag eller en kopplingsbox.

Denna produkt kan användas av barn i åldrarna 8 år och äldre och av personer med nedsatt fysisk, sensorisk eller mental förmåga eller brist på erfarenhet och kunskap om de står under tillsyn eller får instruktioner om hur produkten används på ett säkert sätt och förstår de risker som är förknippade med användningen. Barn ska inte leka med produkten. Barn ska inte utföra rengöring eller underhåll utan tillsyn.

Barn under 3 år ska inte vistas i närheten av produkten utan tillsyn. Barn från 3 till 8 år ska bara starta / stänga av apparaten under förutsättning att den har placerats eller installerats på dess avsedda plats och förutsatt att de är under uppsikt eller har fått instruktioner i säkert handhavande av apparaten så att de förstår vilka risker som finns. Barn från 3 till 8 år ska inte koppla in, reglera eller rengöra apparaten eller utföra användarunderhåll.

Använd inte apparaten seriekopplad med en värmeregulator, programregulator, timer eller andra anordningar som slår på värmen automatiskt, eftersom det föreligger brandrisk om apparaten täcks över eller flyttas/rubbas ur läge av misstag.

Den här apparaten är inte utrustad med någon anordning för reglering av rumstemperatur. Använd inte denna apparat i trånga utrymmen när personer befinner sig i dem som inte kan lämna utrymmet på egen hand, såvida inte de är under konstant tillsyn.

Kontrollera att möbler, gardiner eller annat brännbart material inte placerats närmare än 1 meter från apparaten.

Koppla bort apparaten från vägguttaget om fel uppstår.

Koppla från apparaten när den inte ska användas under en längre period.

Även om den här produkten uppfyller säkerhetsnormerna, rekommenderar vi inte att den används på mattor med hög lugg eller ryamattor.

Produkten måste placeras så att kontakten är lättåtkomlig.

Om nätsladden är skadad måste den bytas ut av tillverkaren, en servicetekniker eller en person med liknande kvalifikationer för att undvika fara.

Håll strömsladden borta från eldstadens framsida.

Varning: Täck inte över apparaten eftersom det då finns risk för överhettning. Placera inte material eller kläder på produkten. Blockera inte heller luftcirkulationen runt produkten med t.ex. gardiner eller möbler eftersom detta kan orsaka överhettning och utgör brandrisk.

Varning: För att undvika en olycka på grund av oavsiktlig återställning av värmesäkringen får denna produkt inte anslutas genom en extern kopplingsanordning, t.ex. en timer, eller kopplas till en strömkrets som regelbundet sätts igång och stängs av genom anordningen.

FÖRSIKTIGHET - Vissa delar av produkten kan bli mycket heta och orsaka brännskador. Särskild uppmärksamhet krävs när barn och utsatta människor finns i närheten.

Allmän information

Packa försiktigt upp värmaren och behåll emballaget för eventuellt framtida bruk, såsom vid flyttning eller retur av eldstaden till din leverantör. Fjärrkontrollen, batterierna och lamporna ligger separat förpackade i kartongen. Eldstaden har en flameffekt som kan användas med eller utan värme så att du kan njuta av en lugnande brasa när som helst på året. Flameffekten kräver väldigt lite ström.

Kontrollera att nätspänningen är densamma som eldstadens märkspänning innan du kopplar in den.

Vänligen notera: Om apparaten används i en miljö med mycket låg ljudnivå kan ljud från flameffekten höras. Detta är normalt och inget att oroa sig för.

Elektrisk anslutning.

VARNING – DENNA APPARAT MÅSTE JORDAS.

Denna värmare får endast drivas med nätspänning (växelström) och den märkspänning som anges på värmaren måste motsvara nätspänningen.

Läs säkerhetsanvisningarna och bruksanvisningen innan du slår på produkten.

VÄNLIGEN BEHÅLL BRUKSANVISNINGEN FÖR FRAMTIDA BRUK

Maskindiska inte Opti-myst plastkomponenter.

Dra endast ut lådan när vattentanken behöver fyllas på eller en lampa behöver bytas ut. I annat fall kommer du att oavsiktligt förändra vattennivån och driften av flameffekten.

Använd endast kranvatten med en maximal hårdhet på 10 dH i denna apparat.

Se alltid till att apparaten är placerad på ett plant golv.

Om du inte tänker använda apparaten på mer än en vecka, töm ut vattnet från sumpen och vattentanken och torka av sumpen.

När apparaten har installerats ska den aldrig flyttas eller läggas på rygg, utan att först ha tappat av vattnet från sumpen och vattentanken.

Vattentanken, sumpen, sumplocket, tanklocket och luftfiltren måste rengöras en gång i veckan, särskilt i områden med hårt vatten.

Apparaten bör aldrig användas om lamporna inte fungerar.

Lamporna ska inspekteras regelbundet enligt beskrivningen i avsnitten "Underhåll" och "Byta lampor".

Teknisk information

Modellnr: 3 Steg E

| Värmeeffekt | | 230 V | 240 V | |
|-----------------------------------|-----------|-------|-------|----|
| Nominell värmeeffekt | P_{nom} | 0.9 | 1.0 | kW |
| Lägsta värmeeffekt | P_{min} | 0.9 | 1.0 | kW |
| Maximal kontinuerlig värmeeffekt | P_{max} | 0.9 | 1.0 | kW |
| Elförbrukning för hjälpfunktioner | | | | |
| i standby-läge | P_{Nom} | 0.87 | 0.93 | W |

elektronisk styrning av rumstemperaturen samt veckotimer

Installationsanvisningar

De 3 stegen kan ändras för att passa 3 olika stilar: Trippel (3-sidigt glas), dubbel (2-sidigt glas) och avkoppling (endast glaset på framsidan). Produkten levereras i avkopplingsutförande. Du växlar mellan modeller genom att fästa sugkopporna på glaset på framsidan och lyfta upp det och sedan ner och bort från produkten, se fig 3a. Avlägsna gummisnodden på insidan av sidoglaset längst ner och högst upp. För ut sidometallplåten och sidoglaset tillsammans, se fig 3b. Separera sidoglasets och för tillbaka det till dess plats. Använd den större gummisnodden för att fixera sidoglasets på plats, se anvisningarna. Sätt tillbaka frontglaset genom att följa anvisningarna ovan i omvänd ordning. Använd sugkopporna för att justera sidoglasets så att både fram- och sidoglasen är korrekt monterade. Se till att det finns ett gap på 300 mm mellan eldstadens ovansida och undersidan av en eventuella hylla ovanför. **Väggmontering:** Bygg en plattform för apparaten att stå på. Användandes måtten i fig. 1 Montera det medföljande väggfästet plant och i önskat läge på väggen med hjälp av 4 lämpliga fästdon för väggen. Se till att vara två personer och håll sedan eldstaden i sidorna och för den försiktigt i läge och häng upp eldstaden med väggfästet. Under apparaten finns fyra justerbara stöd för korrekt balansering, där basen på eldstadens öppning är höjd över plattformens nivå. Om du bygger en frontpanel ska du se till att det finns en öppning framtill så att luft kan cirkulera i produkten, se fig. 21. Detta är nödvändigt för flameffekten. Se också till att det finns ventilation ovanpå produkten eftersom det är nödvändigt för att värmaren ska fungera korrekt, se fig. 20.

Innan du installerar den här apparaten rekommenderar vi att du gör följande;

1. Välj vilken av de tre stilarna du vill använda och justera apparaten i enlighet med detta
2. Se till att din skorsten sotas av en behörig sotare.
3. Blockera skorstenens rökkanal.

Detta är viktigt för att värmapparaten ska fungera effektivt och minskar även värmeförlusten upp genom skorstenen.

Installation.

Säkerställ att alla förpackningsdetaljer avlägsnas (läs alla varningsetiketter noggrant).

Behåll förpackningen för möjlig framtida användning, vid flyttning eller retur av värmeapparaten till leverantören.

Du är nu redo att installera den elektriska eldstaden. Se till att enheten är i läge **OFF (AV)**.

Använda korrekt fästdon för montering av väggfästet på väggen. Anslut eldstaden till ett eluttag med 13 A / 240 V. Se till att strömsladden sticker ut på eldstadens framsida, i vänster eller höger hörna för att passa in i uttagets placering, samt att sladden inte är klämd under eldstaden på ett sätt som kan skada den.

Innan du använder de manuella kontrollerna ska vattentanken först fyllas på (se "Underhåll", "Påfyllning av vattentank").

Användning av eldstaden

VARNING: MISSLYCKKANDE ATT FÖLJA DESSA DRIFTSANVISNINGAR KAN RESULTERA I PERSONSKADOR OCH / ELLER SKADOR PÅ APPARATEN.


Manuella kontroller

De manuella kontrollerna för Opti-myst finns på apparatens bas.

(Se fig. 2 som visar de manuella kontrollernas placering)

Strömbrytare "A":- Styr elförsörjningen till eldstaden.

Notera: Denna strömbrytare måste befinna sig i läge "ON" (PÅ) (I) för att eldstaden ska fungera med eller utan värme när den är aktiverad.


Strömbrytare "B":- Tryck på  en gång för att slå på flameffekten. Detta indikeras med ett hörbart "pip". Även om huvudlamporna tänds omedelbart tar det ytterligare 45 sekunder innan flameffekten påbörjas.

Tryck  för att sätta eldstaden i standby-läge. Detta indikeras av ett "pip".

Fjärrkontroll

Fjärrkontrollen är förpackad med 2 AA-batterier i en påse. Avlägsna batteriluckan på fjärrkontrollens baksida och sätt i batterierna med beaktande av polariteten.

Fjärrkontrollen har redan kopplats till din produkt under fabriksmontering. I det osannolika fall att fjärrkontrollen från-kopplas produkten, eller om du får en extra fjärrkontroll, måste du slutföra anslutningsprocessen:

1. När produkten är inkopplad trycker du på knappen A till läget ON (I). Ett pip bör höras
2. Håll "knapp 6" intryckt tills PAIR visas på skärmen
3. Håll fjärrkontrollen nära den produkt där mottagaren finns . Se fig. 3C
4. Produkten börjar pipa och blinka
5. Tryck på "knapp 6" för att slutföra anslutningsprocessen. Produkten går in i viloläge.

Slå på apparaten

Tryck och håll ned knappen ENTER i 3 sekunder för att aktivera fjärrkontrollen. FIRE (ELD) kommer att visas och ON (PÅ) kommer att blinka. Tryck på ENTER för att slå på apparaten. För att stänga av apparaten, tryck på MENU (MENY) för att FIRE (ELD) ska börja blinka, tryck sedan på ENTER två gånger.

Justera flaminställningen

Med fjärrkontrollen aktiverad, tryck på MENU (MENY) en gång. FIRE (ELD) kommer att blinka på displayen. Tryck på ENTER. Den nuvarande flaminställningen kommer nu visas F1–F6. Tryck på knapparna UP (UPP) och DOWN (NED) för att justera inställningen. Efter att flaminställningen har valts, tryck på BACK (TILLBAKA) två gånger för att lämna menyn och återvända till hemskärmen.

Slå på värmen

Med fjärrkontrollen aktiverad, tryck på MENU (MENY) en gång. FIRE (ELD) kommer att blinka på displayen. Tryck ADV (FRAMÅT) en gång, HEAT (VÄRME) kommer att blinka. Tryck på ENTER. Den nuvarande värmeinställningen visas nu OFF (AV), LO (LÅG), HI (HÖG). Tryck på knapparna UP (UPP) och DOWN (NED) för att justera inställningen. Efter att ha valt flaminställning, tryck på ENTER

Ställa in termostaten

Den temperatur som visas på displayen är den valda rumstemperaturen. Det är denna temperatur som värmaren kommer att upprätthålla under uppvärmningsperioderna. Om rumstemperaturen är högre än denna temperatur kommer värmaren inte att vara i drift. Värmaren lämnar fabriken med denna temperatur satt till 15 °C vilket representerar en typisk, bekväm rumstemperatur. Om du föredrar en annan rumstemperatur, tryck antingen på UP (UPP) eller DOWN (NED) på hemskärmen tills displayen visar den önskade temperaturen.

Termisk säkerhetsavstängning

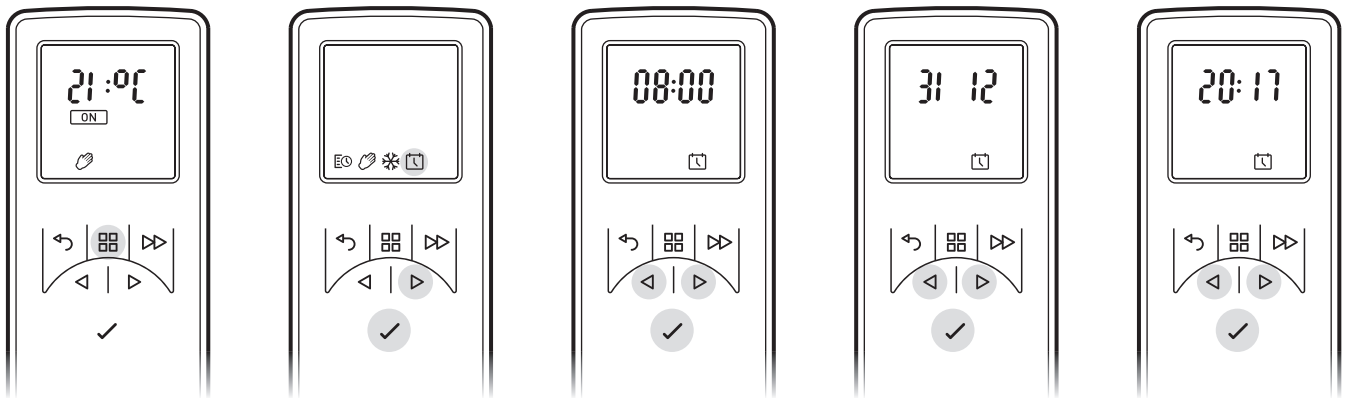
Värmefläkten har en inbyggd värmesäkring för att förhindra skador på grund av överhettning. Detta kan inträffa om värmeutloppet blockeras på något sätt. Om säkerhetsavstängningen är aktiv, koppla ur värmaren från eluttaget och låt den svalna under ca. 10 minuter innan den återinkopplas. Innan du åter slår på värmaren, avlägsna eventuella hinder som kan begränsa värmeutloppet, återuppta sedan normal drift.

FÖRSIKTIGHET: För att undvika olyckor på grund av oavsiktlig återställning av värmesäkringen får denna utrustning inte anslutas via en extern kopplingsanordning, så som en timer, eller till en kontakt som regelbundet slås på och av genom anordningen.

Ställa in datum och tid

För att ställa in datum och tid på värmaren;

1. Tryck på knappen MENU (MENY)
2. Tryck på knappen ^ 4 gånger
3. Tryck på ENTER när ikonen för datum och tid blinkar
4. Tryck på ENTER för att ställa in tiden
5. Tryck på v och ^ för att ställa in timme, tryck på ENTER.
6. Tryck på v och ^ för att ställa in minuterna, tryck på ENTER för att bekräfta tiden
7. Tryck på v och ^ för att ställa in dag, tryck på ENTER
8. Tryck på v och ^ för att ställa in månad, tryck på ENTER
9. Tryck på v och ^ för att ställa in år, tryck på ENTER för att bekräfta datumet



Lägen för fjärrkontroll

Användartimer: Ger störst flexibilitet för användaren. Fyra tidsluckor är tillgängliga per dag och dessa kan anpassas för varje dag i veckan. Se "Hur man justerar timerlägena" för anvisningar om att justera dem utöver de fabriksinställda tidsperioderna och temperaturerna.

Manuellt läge: Detta läge värmer upp rummet till den temperatur som du har ställt in fjärrkontrollen på.

Frostskydd: Detta läge upprätthåller en rumstemperatur på 7 °C. Det här läget bör användas för att skydda mot frost, vilket indikeras av frostikonen.

Välja och ställa in läge

Användartimer - för omprogrammering av de fabriksinställda tidslägena:

1. Tryck på menyknappen
2. Tryck på ^ en gång för att ikonen Schema ska börja blinka. Tryck på Enter
3. Tryck på ^ två gånger och sedan på ENTER
Veckodagarna visas nu högst upp på skärmen

Dag 1 = Måndag
Dag 2 = Tisdag
Dag 3 = Onsdag
Dag 4 = Torsdag
Dag 5 = Fredag
Dag 6 = Lördag
Dag 7 = Söndag

4. Tryck på Enter för att ändra Dag 1 eller tryck på ^ för att navigera till den önskade dagen, tryck på Enter för att välja
5. P1 kommer visas på skärmen
6. Tryck på Enter för att välja P1, eller navigera till P2, P3 eller P4 genom att trycka på ^, tryck på Enter för att välja
7. ON (PÅ) kommer att lysa upp, tryck på Enter för att ställa in påslagningstid
8. Tryck på v eller ^ för att justera påslagningstimme, tryck på Enter för att bekräfta
9. Tryck på v eller ^ för att justera påslagningsminut, tryck på Enter för att bekräfta
10. Tryck på v eller ^ för att justera temperaturinställningen, tryck på Enter för att bekräfta
11. Tryck på v eller ^ för att justera timme för avstängning, tryck på Enter för att bekräfta
12. Tryck på v eller ^ för att justera minut för avstängning, tryck på Enter för att bekräfta

Tryck på Enter för att ändra program P2, följ steg 5–12, tryck på ^ för att fortsätta till P3

Tryck på Enter för att ändra program P3, följ steg 5–12, tryck på ^ för att fortsätta till P4

Tryck på Enter för att ändra program P4, följ steg 5–12

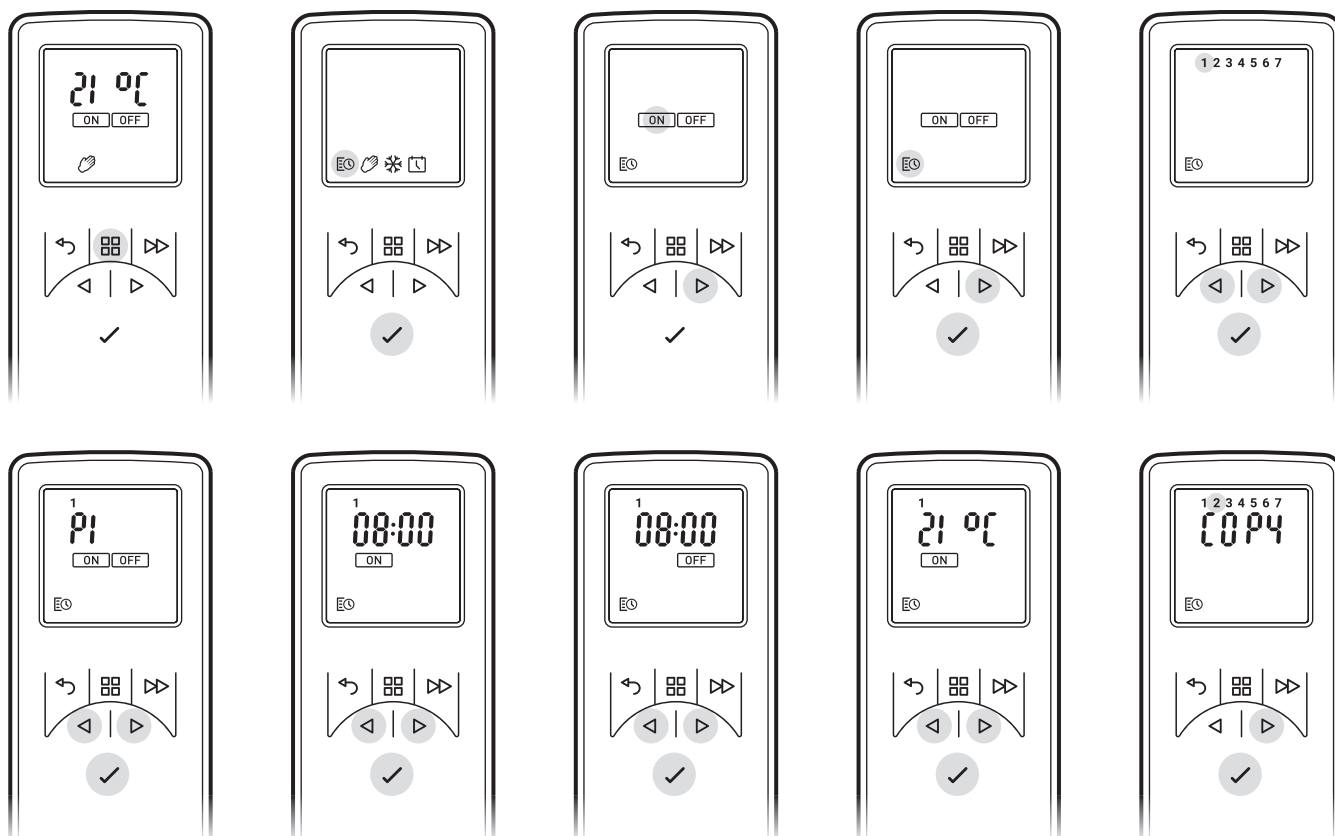
För att kopiera de nyprogrammerade värmeprogrammen P1-P4 till andra dagar, tryck på knappen Enter.

Kopierakommer visas på skärmen

För att kopiera till nästa dag i sekvensen, tryck på knappen ^. För att välja bort nästa dag i sekvensen, tryck på knappen Enter.

De veckodagar som har valts kommer att visas högst upp på skärmen. De dagar som har ignorerats kommer inte att visas (se diagram).

Tryck på Enter för att bekräfta, bakgrundsbelysningen kommer att lysa upp och du återvänder till hemskrmen.

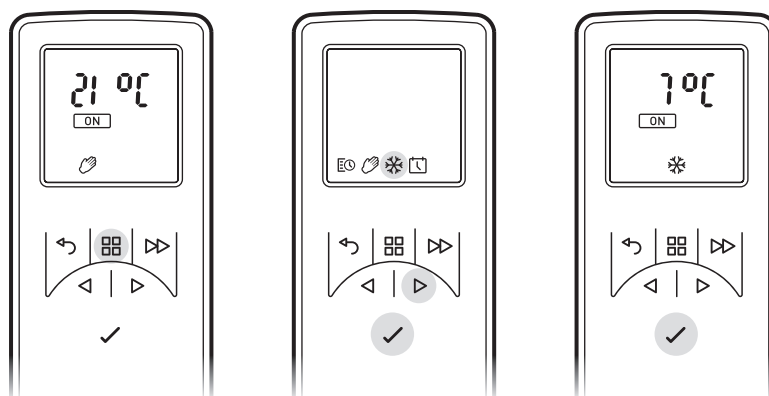


Manuellt läge – Att välja läge för konstant uppvärmning. Detta läge ignorerar användartimern och upprätthåller den visade temperaturen.

- Tryck på Menyknappen
- Tryck på ^ två gånger för att lysa upp handikonen
- Tryck på Enter för att bekräfta
- Tryck på v och ^ för att justera den önskade temperaturen

Frostskydd - Läget för frostskydd upprätthåller en rumstemperatur på 7°C under ett dygn. Detta läge ska användas för att tillhandahålla frostskydd vilket indikeras av frostikonen.

- Tryck på Menyknappen
- Tryck på ^ tre gånger för att lysa upp snöflingeikonen
- Tryck på Enter för att bekräfta
- Tryck på v och ^ för att lämna detta läge och gå över till manuellt läge.



Att få den önskade flameffekten

1. Tryck på MENU (MENY) genom fjärrkontrollen, FIRE (ELD) börjar då blinka på displayen, tryck på ENTER. Den nuvarande inställningen kommer visas. Tryck på ^ eller v för att växla mellan F1 och F6. F1 är den lägsta inställningen och F6 är den högsta.
2. I allmänhet blir flammorna mer verklighetstroga när flamstyrningen skruvas ned.
3. Ge flamgeneratoren tid för att reagera på de förändringar du utför.
4. Elden använder mindre energi när flameffekten sätts på en lägre nivå.
5. Luta inte eller flytta inte på eldstaden när det finns vatten i tanken eller sumpen.
6. Se till att eldstaden står på ett jämnt underlag.

Anpassa displayen

Det maximalt satta temperaturvärdet för produkten är 32 °C Du har möjligheten att minska detta satta värde. Du kan också ändra från °C till °F

1. Tryck på Menyknappen.
2. Tryck på knappen ADV (FRAMÅT) två gånger - SP (Satt värde) kommer blinka.
3. Tryck på Enter för att bekräfta.
4. Tryck på v eller ^ för att välja mellan °C och °F.
5. Tryck på Enter för att bekräfta.
6. Tryck på v eller ^ för att välja det maximalt satta temperaturvärdet.
7. Tryck på Enter för att bekräfta.
8. Tryck på BACK (TILLBAKA) tre gånger för att återvända till hemskärmen.

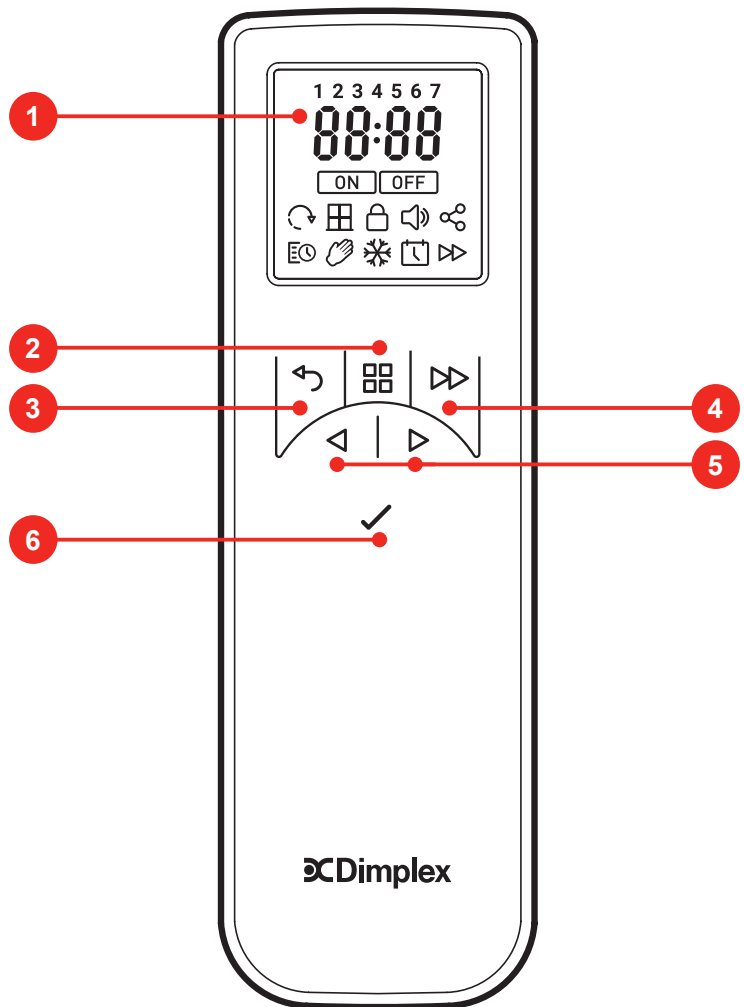
Anpassningsbar start

Apparatens inbyggda elektronik har en inlärningsfunktion för hur lång tid det tar att värma upp rummet. Efter det att den har lärt sig hur snabbt uppvärmningen av rummet sker kan apparaten slås på i rätt tid för att kunna värma upp rummet till bekväm temperatur vid önskad tidpunkt. Exempelvis, om du stiger upp kl 07.00, behöver du vanligtvis gissa när det är nödvändigt att sätta på värmaren för att den ska kunna värma upp rummet i tid. Beroende på hur kallt det är utomhus kan det betyda att rummet fortfarande är kallt när du stiger upp eller också att det har varit varmt under en viss tid innan det är nödvändigt. Anpassningsbar start innebär att om du väljer 21 °C kl 07.00 så kommer värmaren att slås på exakt när det behövs för att uppnå detta mål, genom att värma upp under kortare tid när vädret är mildt och också garantera att rummet är skönt och varmt på vintern.

Funktionen för anpassningsbar start kommer att aktiveras automatiskt när du använder timerläget.

Fjärrkontroll

- 1 Display
- 2 "Menyknappen"
- 3 Knappen "Back" (TILLBAKA)
- 4 Knappen "Advance" (FRAMÅT)
- 5 Pilarna "Up and Down" (UPP OCH NED)
- 6 Knappen "Enter"



VARNING: KOPPLA ALLTID BORT VÄRMAREN FRÅN STRÖMFÖRSÖRJNINGEN FÖRE UNDERHÅLL

Montera reservlampor.

Om en stor volym av rök uppträder grå eller färglös kan det bero på att en eller flera lampor inte fungerar. Du kontrollerar lampfel på följande sätt.

1. Lämna flameffekten påslagen, fatta tag i fliken och dra försiktigt ut lådan. (se fig. 3)
2. Betrakta lamporna på avstånd framför eldstaden och observera vilka lampor som behöver bytas ut.
3. Ställ strömbrytare "A" i läget "OFF" (AV) och koppla ifrån eldstaden från elnätet.
4. Låt apparaten vara fränkopplad under 20 min för att låta lamporna svalna innan du avlägsnar dem.
5. Avlägsna vattentanken genom att lyfta upp den och placera den i vasken.
6. Avlägsna sumpen som beskrivet i avsnittet om rengöring.
7. Ta bort den trasiga lampan genom att försiktigt lyfta den rakt upp och frigöra stiften från lamphållaren (se fig. 4 och 5). Byt ut den trasiga lampan mot en färgad 45 W-originallampa (12 V) med Gu5.3-sockel och 8° strålvinkel. Köp lamporna från din leverantör.
8. Sätt omsorgsfullt in den nya lampans båda kontaktstift i hålen i lamphållaren. Tryck den bestämt på plats. (se fig. 4 och 5).
9. Sätt tillbaka sumpen och vattentanken och stäng försiktigt lådan.
10. Sätt på enheten.

Påfyllning av vattentanken.

När vattentanken är tom stängs flam- och rökeffekterna av och det hörs 2 "pip". Följ dessa steg för att fylla på tanken:

1. Tryck strömbrytare "A" till (0) (se fig. 2)
2. Fatta tag i fliken och dra försiktigt ut lådan så långt det går (se fig. 3)
3. Avlägsna vattentanken genom att lyfta den uppåt och utåt.
4. Placera vattentanken i vasken och avlägsna locket moturs för att öppna det. (se fig. 6)
5. Fyll tanken med **kranvatten med en maximal hårdhet på 10 dH endast**. Detta är nödvändigt för att förlänga livslängden på enheten som genererar flammor och rök. Om vattnet är för hårt ska vattnet filtreras (t.ex. genom ett filter från Maxtra). **Använd inte en avkalkningsanordning.**
6. Skruva på locket igen, **dra inte åt för hårt.**
7. Sätt tillbaka tanken i sumpen, med tanklocket nedåt och tankens plana sida utåt.
8. Tryck försiktigt in lådan så långt det går.
9. Tryck på strömbrytare "A" till läge "ON" (PÅ) (I) (se fig. 2)
10. Tryck på strömbrytare "B" en gång för att sätta på flameffekten. (se avsnittet "Manuell kontroll" och fig. 2)

Rengöring.

VARNING – KOPPLA ALLTID BORT STRÖMSLADDEN FRÅN VÄRMAREN INNAN DU RENGÖR DEN.

Vi rekommenderar att du rengör följande komponenter en gång i veckan, särskilt i områden med hårt vatten:- Vattentank, sump och tätning, sumplock, tanklock och tätning, luftfilter.

Använd en mjuk dammtrasa för allmän rengöring – använd aldrig slipande rengöringsmedel. Ta bort damm eller ludd som samlats på värmebläktens utloppsgaller med hjälp av en dammsugare utrustad med ett munstycke med mjuk borste.

Vattentank

1. Avlägsna vattentanken, enligt tidigare beskrivning, placera den i vasken och töm den på vatten.
2. Genom att använda den medföljande borsten, skrubba lätt på lockets innerytor. Var särskilt uppmärksam på gummiringen i den yttre skåran och gummitätningen i mitten.
3. Tillsätt lite diskmedel i tanken, sätt på locket och skaka väl, skölj sedan ur tills det inte finns några spår av diskmedel.
4. Fyll på tanken med enbart filtrerat kranvatten och sätt tillbaka locket. Var försiktig så att du inte skruvar åt locket för hårt.

Sump

1. Tryck på strömbrytare "A" till läge "OFF" (0) (AV)
2. Dra försiktigt ut lådan så långt som möjligt. (se fig. 3)
3. Avlägsna vattentanken genom att lyfta den uppåt.
4. Koppla ur nätkontakten som finns på sumpens vänstra sida genom att först lossa båda kvarhållningsskruvarna och ta sedan försiktigt loss kontakten. (se fig. 8)
5. Frigör sumpens nedre låsflikar genom att vrida dem 90° så att sumpen kan lyftas bort helt från dess plats. (se fig. 9)
6. Lyft försiktigt upp sumpen på ett sådant sätt att inget vatten spills ut. Placera sumpen i vasken. (se fig. 10)
7. Frigör sumpens två övre låsflickar genom att vrida dem 90° och lyft sedan av sumpens lock (se fig. 11)
8. Luta sumpen försiktigt, enligt illustrationen, så att vätskan rinner ut. (se fig. 12)
9. Håll lite diskmedel i sumpen och rengör försiktigt alla ytor, inklusive metallskivan och gummitätningen i den övre skårade ytan, med hjälp av den medföljande borsten. **Avlägsna inte gummitätningarna.** (se fig. 13 och 14)

10. Efter rengöringen, skölj omsorgsfullt sumpen med rent vatten.
11. Rengör utsidan av sumplocket med borsten och skölj noggrant med vatten. (se fig. 15 och 16)
12. Upprepa ovanstående steg i omvänd ordning för att återmontera.

Lufffilter.

1. Tryck på strömbrytare "A" till läge "OFF" (0) (AV) (se fig. 2)
2. Dra försiktigt ut lådan så långt som möjligt. (se fig. 3)
3. Avlägsna tanken och placera den i vasken med locket uppåt.
4. Skjut försiktigt upp luftfiltrets plasthållare. (se fig. 17)
5. Avlägsna kombinationsfiltret från plasthållaren.
6. Skölj det försiktigt med vatten i vasken och torka med tygrasa innan det sätts tillbaka.
7. Sätt tillbaka kombinationsfiltret och se till att det grova svarta filtret kommer i kontakt med plasthållaren. (se fig. 18)
8. Sätt tillbaka tanken.
9. Stäng lådan helt.
10. Tryck på strömbrytare "A" till läge "ON" (PÅ) (I) (se fig. 2)

Ytterligare information

Återvinning.



För elektriska produkter som säljs inom den Europeiska gemenskapen. Vid slutet av produktens livslängd ska den inte kasseras som vanligt hushållsavfall. Vänligen återvinn på en miljö- eller återvinningsstation. Kontakta kommunen eller återförsäljaren för information om nationella föreskrifter för återvinning.

Service efter köp.

Produkten levereras med två års garanti från inköpsdatum. Under denna period utför vi reparation eller utbyte av produkten utan kostnad (i mån av tillgång, men inte lamporna), förutsatt att den har installerats och använts i enlighet med dessa anvisningar. Dina rättigheter under garantin går utöver dina lagstadgade rättigheter, vilka i sin tur inte påverkas av denna garanti.

| Felsökning | | |
|---|---|--|
| Symptom | Orsak | Korrigerande åtgärd |
| Flameffekten tänds inte. | <p>Strömssladden är inte inkopplad.</p> <p>Strömbrytare A är i läge "ON" (PÅ) (I) men lägesströmbrytare B har inte tryckts ned. (se fig. 2)</p> <p>Låg vattennivå.</p> <p>Kontakten för lågspänning har inte kopplats in på korrekt sätt. (se fig. 8)</p> | <p>Kontrollera att kontakten är ordentligt ansluten till vägguttaget.</p> <p>Tryck på strömbrytare B en gång för flameffekt. (se fig. 2)</p> <p>Kontrollera att vattentanken är full och att det finns vatten i sumpen.</p> <p>Kontrollera att kontakten har satts i på ett korrekt sätt. (se fig. 8)</p> |
| Flameffekten är för svag. | <p>Flameffekten är för lågt inställd.</p> <p>Vattennivån i sumpen kan vara för hög om lådan har öppnats och stängts många gånger, om vattentanken har avlägsnats många gånger eller om eldstaden har förflyttats.</p> <p>Metallskivan i sumpens bas kan vara smutsig (se fig. 13)</p> | <p>Öka flamnivån med hjälp av fjärrkontrollen. (Se avsnittet om Produktanvändning)</p> <p>Om vattennivån i sumpen är högre än 40 mm ska sumpen avlägsnas och tömmas i vasken.</p> <p>Rengör metallskivan med den mjuka borsten som levererades med apparaten. (Se fig. 13) Se "Underhåll" för en stegvis procedur.</p> |
| Otrevlig lukt när enheten används. | Smutsigt eller unket vatten. | <p>Rengör enheten såsom beskrivet under underhåll.</p> <p>Använd endast kranvatten med en maximal hårdhet på 10 dH i denna apparat.</p> |
| Flameffekten är för rökig. | Flameffektens inställning är för hög. | <p>Vrid ner flameffekten med hjälp av tumvred D till lägsta effekten och vrid sedan långsamt upp den igen med ungefär ¼ varv i taget. Ge flamgeneratoren lite tid för att anpassa sig innan du fortsätter ökningen. (se fig. 2)</p> |
| Huvudlamporna fungerar inte och det finns inga flammor eller rök. | Det finns inget vatten i tanken. | <p>Följ anvisningarna i "Underhåll", "Fylla vattentanken".</p> <p>Kontrollera om kontakten har satts i vägguttaget på ett korrekt sätt.</p> <p>Strömbrytare A (se fig. 2) är i läge "ON" (PÅ) (I).</p> <p>Tryck på strömbrytare B (se fig. 2) tills det hörs endast ett pip, för flameffekt.</p> |
| Kondens på glaset | <p>Iminställningen är för högt inställd</p> <p>Glaset kan ha varit kallt när enheten startades</p> | <p>Sänk imstyrkan genom att vrida ner tumvred "D"</p> <p>Sänk imstyrkan till låg och vrid strömbrytare C till hög hastighet.</p> <p>Kör enheten på den här inställningen tills glaset åter är imfritt och återgå sedan till önskad inställning.</p> <p>Upprepa den här proceduren om kondens bildas på nytt</p> |

IMPORTANT: BU TALİMATLAR DİKKATLE OKUNMALI VE İLERİDE BAŞVURMAK ÜZERE SAKLANMALIDIR:

Elektrikli cihaz kullanırken, yangın, elektrik çarpması ve kişisel yaralanma riskini azaltmak için aşağıdakileri içeren temel uyarılara dikkat edilmelidir:

Cihaz hasar görmüşse, cihazı kurmadan ve çalıştırmadan önce tedarikçinizle görüşün.

Açık havada kullanmayın.

Banyo, duş veya yüzme havuzu çevresinde kullanmayın.

Cihazı, sabit bir priz çıkışının ya da bağlantı kutusunun hemen altına yerleştirmeyin.

Bu cihaz, cihazın güvenli şekilde kullanılmasıyla ilgili talimatların kendilerine verilmiş olması ve var olan tehlikeleri anlamış olmaları halinde 8 yaş ve üstündeki çocuklar ve azalan fiziksel, duyuşal veya zihinsel yetkinliđi olan veya deneyim ve bilgi eksikliđi olan kişilerce kullanılabilir. Çocuklar cihazla oynamamalıdır. Gözetim altında olmadıkları müddetçe temizlik ve kullanıcı bakımı çalışmaları çocuklarca yapılmamalıdır.

Sürekli gözetim altında tutulmadıkları müddetçe 3 yaşından küçük çocuklar cihazdan uzak tutulmalıdır. 3 yaşından büyük ve 8 yaşından küçük çocuklar, cihazın amaçlanan normal çalışma konumunda yerleştirilmiş veya kurulmuş olması ve kendilerine cihazın güvenli şekilde kullanılmasıyla ilgili talimatların verilmiş ve var olan tehlikeleri de anlamış olmaları kaydıyla sadece cihazı açıp kapatabilirler. 3 yaşından büyük ve 8 yaşından küçük çocuklar cihazın fişini takmamalı, cihazı kullanmamalı ve temizlememeli ya da cihazda kullanıcı bakımı yapmamalıdır.

Cihazın yanlışlıkla üzerinin kapatılması veya yerinden hareket ettirilmesi durumunda yangın riski bulunmasından dolayı, bu cihazı bir termal kontrol, program kontrolörü, zamanlayıcı veya ısıtmayı otomatik olarak açan başka bir cihazla birlikte kullanmayın.

Bu cihaz, oda sıcaklığını kontrol eden bir cihaz içermez. Bu cihazı, sürekli gözetim sağlanmadıkça, odadan tek başlarına çıkamayan kişilerin bulunduğu küçük odalarda kullanmayın.

Mobilya, perde veya diđer yanabilecek malzemelerin cihaza 1 metreden daha yakın olmamasına dikkat edin.

Bir arıza durumunda cihazın fişini çekin.

Uzun süre boyunca kullanılmadığı zamanlarda cihazın fişini çekin.

Bu cihaz güvenlik standartlarına uygun olsa da, bu cihazın uzun havlı halılar veya uzun tüylü kilimler üzerinde kullanılması önerilmez.

Cihaz, fişe erişilebilecek şekilde konumlandırılmalıdır.

Elektrik kablosunun hasar görmesi halinde, herhangi bir tehlikeyi önlemek için kablo imalatçı veya servis operatörü ya da benzer yetkinliğe sahip bir kişi tarafından deđiştirilmelidir.

Elektrik kablosunu cihazın ön kısmından uzak tutun.

Uyarı: Aşırı ısınmayı önlemek için, cihazın üzerini örtmeyin. Aşırı ısınmaya veya yangın riskine yol açabileceğinden dolayı, cihazın üstüne giysi veya herhangi bir malzeme koymayın ve perde veya mobilyalar ile cihazın çevresindeki hava dolaşımını engellemeyin.

Uyarı: Termal kesicinin yanlışlıkla sıfırlanmasından kaynaklanabilecek hasarları önlemek için, bu cihazın zamanlayıcı gibi harici tetikleme aygıtlarıyla kullanılmaması ya da düzenli olarak açılıp kapanan devrelere bağlanmaması gereklidir.

DİKKAT - Bu ürünün bazı kısımları çok sıcak olabilir ve yanıklara neden olabilir. Çocukların ve savunmasız insanların bulunduğu yerlerde özel dikkat gösterilmelidir.

Genel Bilgiler

Isıtıcıyı dikkatli bir şekilde ambalajından çıkarın ve taşımanız veya tedarikçinize geri göndermeniz durumunda ambalajı ileride kullanmak için saklayın. Uzaktan Kumanda, piller ve lambalar, ambalajda ayrı ayrı paketlenmiştir. Şömine, ısıtma dahil veya hariç kullanılabilen bir alev efektine sahiptir, böylece rahatlatıcı efekt yılın herhangi bir döneminde kullanılabilir. Alev efektini kendi başına kullanmak için az miktarda elektrik yeterlidir.

Isıtıcıyı bağlamadan önce voltajın ısıtıcıda belirtilen voltaj değeri ile aynı olduğundan emin olun.

Lütfen unutmayın: Arka plandaki gürültünün oldukça düşük olduğu bir ortamda kullanıldığında alev efektinin çalışmasıyla ilişkili bir ses duyulabilir. Bu normal olup endişe edilmesi gereken bir durum değildir.

Elektrik bağlantısı.

UYARI - BU CİHAZ TOPRAKLANMALIDIR.

Bu ısıtıcı yalnızca bir AC ~ besleme kaynağında kullanılmalıdır ve ısıtıcıda belirtilen voltaj, besleme gerilimine karşılık gelmelidir.

Şömineyi açmadan önce, lütfen güvenlik tavsiyelerini ve çalıştırma talimatlarını okuyun.

LÜTFEN GELECEKTE BAŞVURABİLMEK İÇİN BU KULLANIM KILAVUZUNU SAKLAYIN

Opti-myst plastik parçalarını bulaşık makinesine koymayın.

Çekmeceyi sadece su deposunun doldurulması veya bir lambanın değiştirilmesi gerektiği zaman dışarı çekin, aksi takdirde su seviyesini ve alev efektinin çalışma durumunu yanlışlıkla değiştirebilirsiniz.

Bu cihazda, yalnızca maksimum sertlik seviyesi 10 dH olan musluk suyu kullanın.

Cihazın her zaman düz bir zeminde oturduğundan emin olun.

Cihazı 1 haftadan uzun süre kullanmayacaksınız, haznedeki ve depodaki suyu boşaltın ve hazneyi kurutun.

Kurulduktan sonra, suyu haznedeki ve su deposundan boşaltmadan cihazı asla kaldırmayın veya geri yatırmayın.

Su deposu, hazne, hazne kapağı, depo kapağı ve hava filtreleri, özellikle suyun sert olduğu bölgelerde 1 haftada bir temizlenmelidir.

Lambalar çalışmıyorsa cihaz hiçbir şekilde çalıştırılmamalıdır.

Lambalar şu bölümlerde anlatıldığı gibi düzenli olarak kontrol edilmelidir: '**Bakım**' ve '**Lambaları Değiştirme**'.

Teknik Bilgiler

Model No: 3 Step E

| Isıtma Gücü | | 230V | 240V | |
|------------------------------------|------------|------|------|----|
| Nominal Heat Output | P_{Nom} | 1.8 | 2.0 | kW |
| Minimum Isıtma Gücü | P_{min} | 0.9 | 1.0 | kW |
| Maksimum Sürekli Isıtma Gücü | P_{maks} | 1.8 | 2.0 | kW |
| Yardımcı Birimin Elektrik Tüketimi | | | | |
| Bekleme Modunda | P_{Nom} | 0.45 | 0.48 | W |

elektronik oda sıcaklık kontrolü ile birlikte hafta zamanlayıcı

Montaj Talimatları

3-Adım, Üçlü (3 taraflı cam), Düet (2 taraflı cam) ve Rahatlama (sadece ön cam) şeklindeki 3 farklı tarza uyacak şekilde değiştirilebilir. Ürün halihazırda Rahatlama modelinde teslim edilmektedir. Modeller arasında değişim için vantuzları ön cama sabitleyin ve camı yukarı doğru kaldırdıktan sonra aşağı indirip üründen uzaklaştırın, bkz. Şekil 3a. Yan camın içinde yer alan alt ve üstteki kauçuk kordonu sökün. Yan metal plakayı ve yan camı birlikte kaydırın, bkz. Şekil 3b. Yan camı ayırın ve yerine geri kaydırın. Yan camı yerine sabitlemek için talimat paketinde yer alan büyük kauçuk kordonu kullanın. Yukarıdaki adımları tersinden tekrarlayarak ön camı değiştirin. Hem ön hem de yan camın doğru şekilde takılmasını sağlamak amacıyla yan camı ayarlamak için vantuzları kullanın. Ateşin en üst noktasıyla herhangi bir rafın alt kısmı arasında en az 300 mm'lik bir boşluk olmasını sağlayın. **Duvar Montajı:** Ünitenin üzerinde durması için bir platform inşa edin. Şekil 1'deki boyutları kullanarak, duvar desteği seviyesini monte edin ve duvarınıza uygun 4 sabitleme vidasını kullanarak duvarda istediğiniz konuma getirin. İki kişinin yanlarından tutarak şömineyi taşımasını sağlayarak ilgili konuma yavaşça getirin ve şömineyi duvar desteğinden asın. Cihazın altında seviyeleme için kullanılabilecek dört adet ayarlanabilir destek bulunmakta olup şömine açıklığının tabanı, platform seviyesinin üzerindedir. Önde bir kemer oluştururken ürüne hava girebilmesi için ön tarafta bir açıklık olduğundan emin olun, bkz. Şekil 21. Bu açıklık, alev efekti için gereklidir. Ayrıca ısıtıcının doğru çalışabilmesi için ürünün en üstünde bir açıklık olmasını da sağlayın, bkz. Şekil 20.

Bu cihazı kurmadan önce şunları öneririz:

1. Hangi 3-adımlı tarza ihtiyaç duyduğunuzu seçin ve cihazda gereken ayarlamaları yapın.
2. Bacanızı, yetkin bir baca temizleyiciye temizletin.
3. Baca duman yolunu engelliyorsunuz.

Bu işlem, ısıtma ünitesinin verimli çalışması için önemli olup ayrıca bacadan ısı kaybını da azaltacaktır.

Kurulum.

Tüm ambalaj öğelerinin çıkarıldığından emin olun (tüm uyarı etiketlerini dikkatli bir şekilde okuyun).

Cihazı tedarikçinize götürme veya geri gönderme ihtimaline karşı, tüm ambalajı ileride kullanmak için saklayın.

Şimdi elektrikli şömineyi kurmaya hazırsınız. Ünitenin **KAPALI** olduğundan emin olun.

Duvarınız için doğru sabitleyicileri kullanarak, duvar dirseğini duvara sabitleyin. Şöminenin fişini bir 13 amp/240 volt prize takın. Besleme kablosunun, besleme prizinizin konumuna uyması için şöminenin ön tarafında sağ veya sol köşeden çıktığından ve hasar görmesine neden olabilecek şekilde şöminenin altına sıkışmadığından emin olun.

Manüel kontrolleri ilk kez kullanmadan önce su deposunu doldurun (Bkz. 'Bakım', 'Su deposunun doldurulması').

Elektrikli Şömineyi Çalıştırma

UYARI: BU ÇALIŞTIRMA TALİMATLARINA UYULMAMASI, YARALANMAYA VE/VEYA HASARA NEDEN OLABİLİR.


Manüel Kontroller

Opti-myst Manüel kontrolleri, cihazın kaidesinde bulunmaktadır.

(Manüel Kontrol düzeni için bkz. Şekil 2)

Anahtar 'A':- Şömineye giden elektrik kaynağını kontrol eder.

Not: Etkinleştirildiğinde ısı ile birlikte veya ısı olmadan Şöminenin çalışması için bu anahtar 'AÇIK' (I) konumunda olmalıdır.

Anahtar 'B':- Alev  efektini açmak için bir kez basın. Bu işlem, duyulabilir bir 'bip' sesi ile belirtilecektir. Her ne kadar ana ışıklar derhal çalışacak olsa da alev efektinin çalışmaya başlaması 45 saniye sürer.

Şömineyi bekleme moduna almak için ENTER  düğmesine basın. Bu işlem, bir 'bip' sesi ile belirtilecektir.

Uzaktan Kumanda

Uzaktan kumandanın ambalajı içinde 2 adet AA pil bulunmaktadır. Uzaktan kumandanın arkasındaki pil kapağını kaldırın ve pilleri, kutuplarına dikkat ederek yerleştirin.

Uzaktan kumanda, fabrikada montaj esnasında ürününüzle zaten eşleştirilmiştir. Düşük bir ihtimal de olsa uzaktan kumandanın ürünle bağlantısının kesilmesi veya yedek bir uzaktan kumanda almanız durumunda, eşleştirme işlemini tamamlamanız gerekecektir:

1. Ürünün kablosu takılıyken, A anahtarına basarak ON (AÇIK) (I) konumuna getirin. Bir bip sesi duyacaksınız
2. Ekranda PAIR (EŞLEŞTİR) ifadesi görülene kadar 'Düğme 6'ya basın ve basılı tutun
3. Uzaktan kumandayı alıcının bulunduğu yerdeki ürünün yakınına getirin Bkz. Şek. 3C
4. Ürün bip sesi çıkarmaya ve yanıp sönmeye başlayacaktır
5. Eşleştirme işlemini tamamlamak için 'Düğme 6'ya basın. Ürün bekleme moduna girecektir.

Cihazın açılması

Uzaktan kumandayı etkinleştirmek için ENTER düğmesini basıp 3 saniye bekleyin. Ekranda ŞÖMİNE ifadesi görünecek ve AÇIK yazısı yanıp sönecektir. Cihazı açmak için ENTER tuşuna basın. Cihazı kapatmak için MENÜ düğmesine bastığınızda ŞÖMİNE yazısı yanıp sönmeye başlayınca ENTER düğmesine iki kere basın.

Alev Ayarını Ayarlama

Uzaktan kumanda devredeyken bir kere basın. Ekranda ŞÖMİNE ifadesi yanıp sönecektir. ENTER düğmesine basın. Geçerli alev ayarı, F1-F6 olarak görünecektir. Ayarı değiştirmek için YUKARI ve AŞAĞI düğmelerine basın. Alev ayarınızı seçtikten sonra menüden çıkmak ve ana ekrana geri dönmek için GERİ düğmesine iki kere basın.

Isıtmanın Açılması

Uzaktan kumanda etkinken, MENÜ düğmesine bir kez basın. Ekranda ŞÖMİNE ifadesi yanıp sönecektir. ADV düğmesine bir kez basın, ISITMA ifadesi yanıp sönecektir. ENTER düğmesine basın. Mevcut ısıtma ayarı KAPALI DÜŞÜK YÜKSEK şeklinde görüntülenecektir. Ayarı değiştirmek için YUKARI ve AŞAĞI düğmelerine basın. Alev ayarınızı seçtikten sonra, ENTER düğmesine basın.

Termostatın Ayarlanması

Ekranda gösterilen sıcaklık oda sıcaklığı ayar noktasıdır. Bu, ısıtıcının ısıtma süreleri boyunca koruyacağı sıcaklıktır. Oda sıcaklığı bu sıcaklığın üzerindeyse ısıtıcı çalışmayacaktır. Isıtıcı fabrikadan bu sıcaklık 15°C olarak ayarlanacak şekilde çıkmış olup bu sıcaklık normal konforda bir oda sıcaklığını temsil eder. Farklı bir oda sıcaklığına ihtiyacınız varsa ekranda ihtiyaç duyduğunuz sıcaklık gösterilene kadar giriş ekranındaki yukarı veya aşağı tuşlarına basın.

Termal Güvenlik Kesintisi

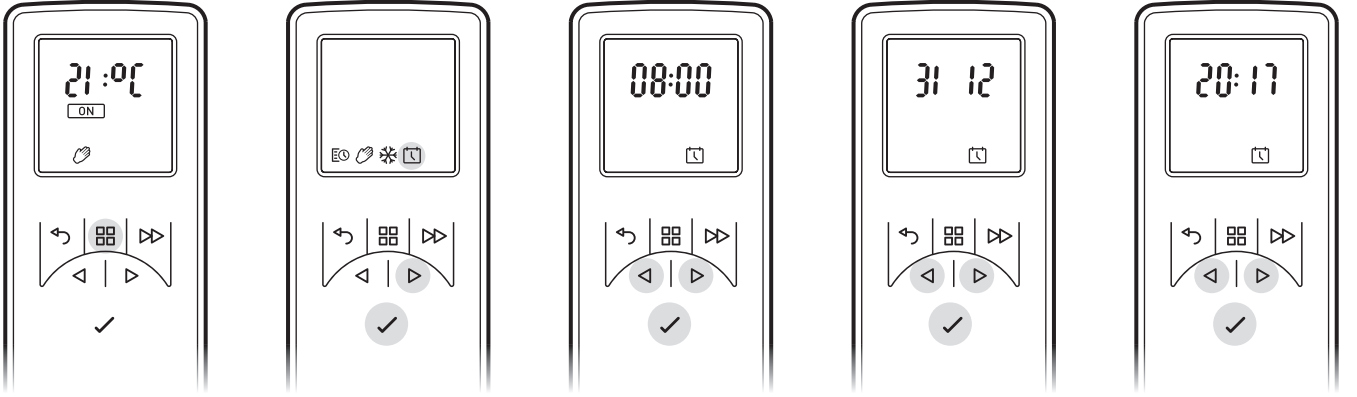
Aşırı ısınmadan kaynaklı hasarı önlemek için fan ısıtıcısına termal güvenlik kesintisi dahil edilmiştir. Isı çıkışı herhangi bir şekilde kısıtlandığında bu durum meydana gelebilir. Kesinti devreye girdiğinde ısıtıcıyı prizden çekin ve yeniden takmadan önce yaklaşık 10 dakika bekleyin. Isıtıcıyı tekrar açmadan önce, ısı çıkışını kısıtlayabilecek engelleri kaldırın, ardından normal çalışma işlemine devam edin.

DİKKAT: Termal devre kesicinin yanlışlıkla sıfırlanmasından kaynaklanabilecek hasarları önlemek için, bu cihazın zamanlayıcı gibi harici tetikleme aygıtlarıyla kullanılmaması ya da şebeke tarafından düzenli olarak açılıp kapanan şalterlere bağlanmaması gerekir.

Tarih ve Saati Ayarlama

Isıtıcıda tarih ve saati ayarlamak için:

1. Menü düğmesine basın
2. ^ düğmesine 4 kere basın
3. Tarih ve Saat sembolü yanıp söndüğünde Enter düğmesine basın
4. Saati ayarlamak için Enter düğmesine basın
5. Saati ayarlamak için v ve ^ düğmelerine ve Enter düğmesine basın
6. Dakikaları ayarlamak için v ve ^ düğmelerine ve ardından saati onaylamak için Enter düğmesine basın
7. Günü ayarlamak için v ve ^ düğmelerine ve Enter düğmesine basın
8. Ayı ayarlamak için v ve ^ düğmelerine ve Enter düğmesine basın
9. Yıl değerini ayarlamak için v ve ^ düğmesine basın, tarihi onaylamak için Enter düğmesine basın



Uzaktan Çalıştırma Modları

Kullanıcı Zamanlayıcı: Kullanıcıya büyük bir esneklik sağlar. Gün boyunca kullanılabilir dört zaman aralığı mevcut olup bunlar haftanın her bir günü için uyarlanabilir. Bu zamanlayıcıları, fabrikada varsayılan olarak ayarlanan süreler ve sıcaklıklardan farklı bir şekilde ayarlamaya yönelik talimatlar için "Zamanlayıcı modları nasıl ayarlanır" bölümüne bakınız.

Manüel Mod: Bu mod, odayı uzaktan kumandadan ayarlamış olduğunuz sıcaklığa kadar ısıtır.

Donma Koruma: Bu mod, oda sıcaklığını 7°C'de tutacaktır. Bu mod, donma simgesi aracılığıyla belirtildiği gibi donmaya karşı koruma sağlamak için kullanılmalıdır.

Mod Seçme ve Ayarlama

Kullanıcı Zamanlayıcı - Fabrikadaki varsayılan Zamanlayıcı Modlarını yeniden programlamak için:

1. Menü düğmesine basın
2. Programlamak için ^ düğmesine bir kez basın. Sembol yanıp söner. Enter düğmesine basın.
3. ^ düğmesine iki kere basın ve ardından Enter düğmesine basın.

Şimdi haftanın günleri ekranın en üstünde görüntülenecektir

Gün 1 = Pazartesi

Gün 2 = Salı

Gün 3 = Çarşamba

Gün 4 = Perşembe

Gün 5 = Cuma

Gün 6 = Cumartesi

Gün 7 = Pazar

4. Gün 1'i değiştirmek için Enter düğmesine basın veya istenen güne gitmek için ^ düğmesine ve seçim için de Enter düğmesine basın
5. Ekranda P1 gösterilecektir
6. P1'i seçmek için Enter düğmesine basın, P2, P3 veya P4'e gitmek için ^ düğmesine ve seçim için de Enter düğmesine basın
7. AÇIK yazısı vurgulanacak olup Saati ayarlamak için Enter düğmesine basın
8. Açık olan Saati ayarlamak için v veya ^ düğmelerine ve onaylamak için de Enter düğmesine basın
9. Açık olan Dakikayı ayarlamak için v veya ^ düğmelerine ve onaylamak için de Enter düğmesine basın
10. Sıcaklık ayarı için v veya ^ düğmelerine ve onaylamak için de Enter düğmesine basın
11. Kapalı olan Saati ayarlamak için v veya ^ düğmelerine ve onaylamak için de Enter düğmesine basın
12. Kapalı olan Dakikayı ayarlamak için v veya ^ düğmelerine ve onaylamak için de Enter düğmesine basın

P2 Programını değiştirmek için Enter düğmesine basın, 5'den 12'ye kadarki adımları takip edin, P3'e atlamak için ^ düğmesine basın

P3 Programını değiştirmek için Enter düğmesine basın, 5'den 12'ye kadarki adımları takip edin, P4'e atlamak için ^ düğmesine basın

P4 Programını değiştirmek için Enter düğmesine basın, 5'den 12'ye kadarki adımları takip edin

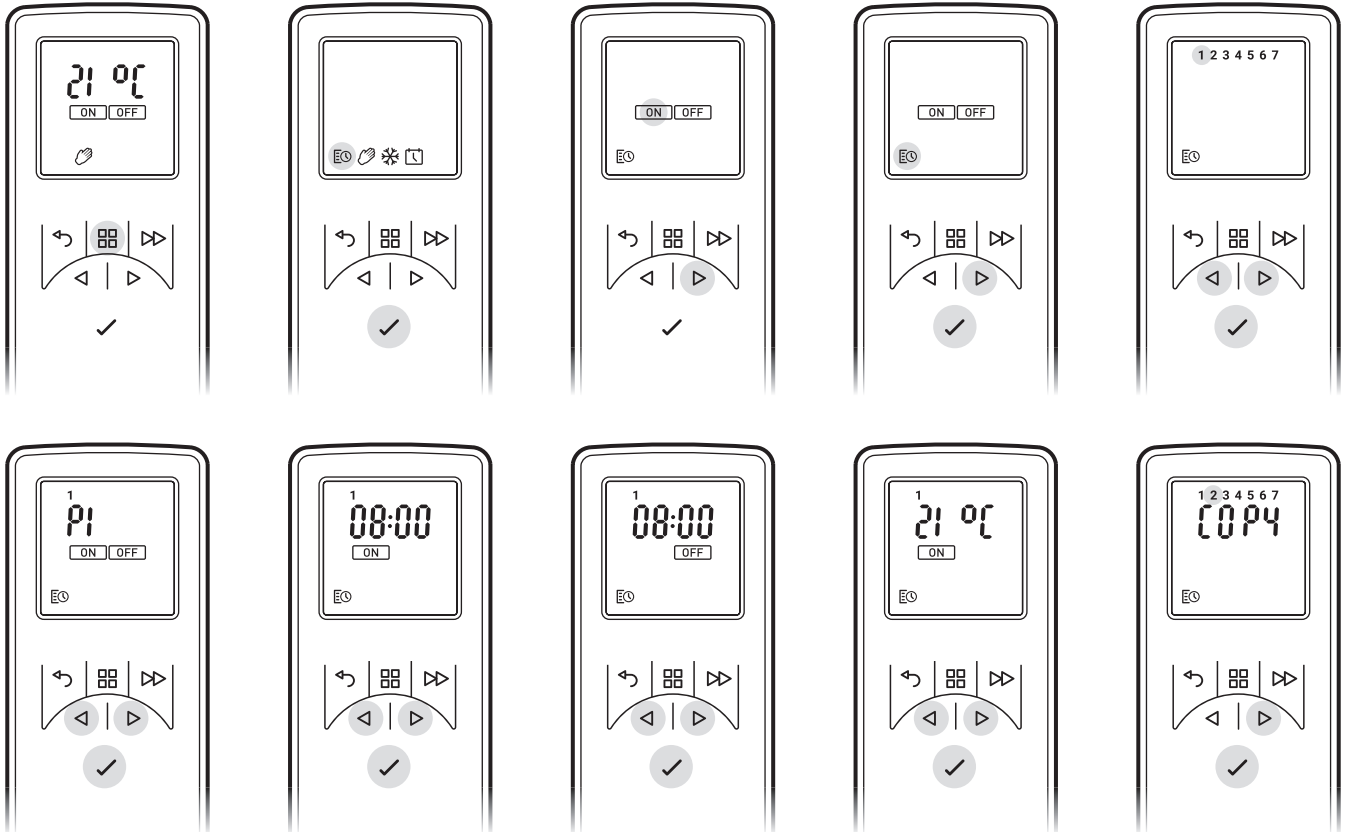
Yeni programlanmış P1-P4 ısıtma programlarını diğer günlere kopyalamak için Enter düğmesine basın.

Kopya ekranda gösterilecektir

Bir sonraki güne kopyalamak için ^ düğmesine basın. Sıradaki bir sonraki günü seçimini kaldırmak için Enter düğmesine basın.

Seçilen haftanın günleri, ekranın en üstünde gösterilecektir. Seçimi kaldırılan günlerse görünür olmayacaktır (bkz. Şemalar).

Onaylamak için Enter düğmesine basın, arka ışık yanıp sönecek ve ana ekrana geri dönecektir.

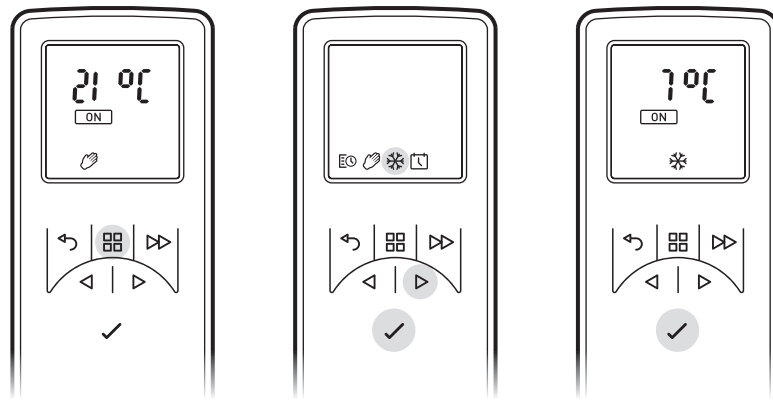


Manüel Mod - Sabit bir ısı modunu seçmek için. Bu modda Kullanıcı Zamanlayıcı gözardı edilir ve görüntülenen sıcaklık korunur.

- Menü düğmesine basın
- El sembolünü vurgulamak için ^ düğmesine iki kere basın
- Onaylamak için Enter düğmesine basın
- İstenen sıcaklığa ayarlamak için v ve ^ düğmelerini kullanın

Donmaya karşı koruma - Donmaya karşı koruma modu, 7°C oda sıcaklığını 24 saatlik bir dönem boyunca korur. Donma sembolü ile gösterildiği şekilde donmaya karşı koruma için bu mod kullanılmalıdır.

- Menü düğmesine basın
- Kar tanesi sembolünü vurgulamak için ^ düğmesine üç kere basın
- Onaylamak için Enter düğmesine basın
- Bu moddan çıkmak ve manüel moda girmek için v veya ^ düğmesine basın.



İstenilen Alev Efektinin Elde Edilmesi

1. Uzaktan kumandada MENÜ düğmesine basın, ekranda ŞÖMİNE ifadesi yanıp sönecektir, ENTER düğmesine basın. Geçerli ayar görüntülenecektir. F1 ile F6 arasında geçiş yapmak için ^ veya v düğmesine basın. F1 en düşük ayarken F6 ise en yüksek ayardır.
2. Alev kontrolü kapatıldığında genelde alevler daha gerçekçi görünür.
3. Alev üreticene, yaptığınız değişikliklere tepki verebilmesi için zaman verin.
4. Alev efekti daha düşük bir seviyede ayarlanmışsa alev daha az su kullanacaktır.
5. Depoda veya haznede su varken alevi eğmeyin veya hareket ettirmeyin.
6. Alevin düz bir zeminde olduğundan emin olun.

Ekranın uyarlanması

Ürünün maksimum sıcaklık ayar noktası 32°C'dir. Bu ayar noktasını düşürme seçeneğine sahipsiniz. Ayrıca, °C birimini °F birimi ile değiştirebilirsiniz

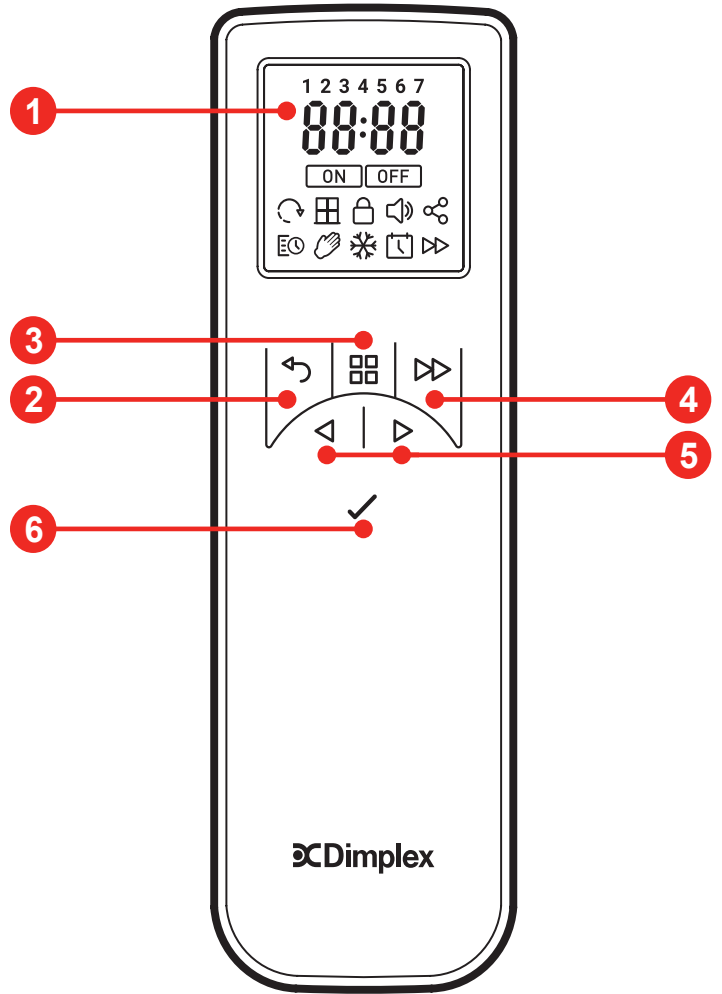
1. Menü düğmesine basın.
2. ADV düğmesine iki kere basın - SP yanıp sönecektir.
3. Onaylamak için Enter düğmesine basın.
4. v veya ^ düğmelerine basarak °C ile °F arasında seçim yapın.
5. Onaylamak için Enter düğmesine basın.
6. Maksimum sıcaklık ayar noktasını seçmek için v veya ^ düğmesine basın.
7. Onaylamak için Enter düğmesine basın.
8. Ana ekrana dönmek için GERİ düğmesine üç kez basın.

Uyarlamalı Başlatma

Bu cihazdaki bütünleşik elektronik tertibatların, bir odanın ısıtılmasının ne kadar süreceği ile ilgili öğrenme fonksiyonu vardır. Odanızın ne kadar kısa sürede ısıtılacağını öğrenmesinin ardından cihaz, istediğiniz zamanda odanızı konforlu bir sıcaklığa çıkartabilmek için tam olarak doğru zamanda çalışmaya başlayabilir. Örneğin, sabah saat 07:00'de uyanıyorsanız normalde odanızı önceden zamanında ısıtabilmek için ısıtmayı ne zaman açacağınızı tahmin etmeniz gerekir. Dışarısının ne kadar soğuk olabileceğine bağlı olarak oda, yatağınızdan çıktığınızda halen soğuk olabileceği gibi olması gerekenden yarım saat önce ısınmış da olabilir. Uyarlamalı Başlatma, saat 07:00'de 21°C sıcaklığı seçmeniz durumunda, ısıtıcının bu hedefe ulaşmak için tam zamanında açılacağı, hava sıcak olduğunda daha kısa süre çalışacağı ve odanın kış mevsiminde hoş ve sıcak olacağı anlamına gelir. Uyarlamalı Başlatma fonksiyonu, Zamanlayıcı Modunu kullandığınız zaman otomatik olarak etkinleşecektir.

Uzaktan Kumanda

- 1 Görüntü Ekranı
- 2 'Geri' Düğmesi
- 3 'Menü' Düğmesi
- 4 'İleri' Düğmesi
- 5 'Yukarı ve Aşağı' Oklar
- 6 'Enter' Düğmesi



UYARI: HERHANGİ BİR BAKIM İŞLEMİ YAPMADAN ÖNCE, DAİMA GÜÇ KAYNAĞI BAĞLANTISINI KESİN**Yedek lambaları takma.**

Dumanın büyük miktarı gri veya renksiz görünüyorsa, bir veya daha fazla lamba arızalanmış olabilir.

Lamba arızasını aşağıdaki şekilde kontrol edebilirsiniz.

1. Alev efekti açıkken, çekmeceyi yerinden yavaşça çekin ve tamamen çıkarın. (Bkz. Şek. 3)
2. Lambalara şöminenin önünde belirli bir mesafeden bakın ve hangi lambanın değiştirilmesi gerektiğini gözlemleyin.
3. 'A' anahtarını 'KAPALI' konuma getirin ve şömineyi prizden çekin.
4. Sökmeden önce lambaların soğuması için cihazı 20 dakika boyunca bırakın.
5. Su tankını yukarı doğru kaldırarak sökün ve bir lavaboya koyun.
6. Hazneyi, Temizleme Bölümünde açıklanan şekilde çıkarın.
7. Lamba tutucusunun pimlerini dikey yönde kaldırıp yavaşça çıkararak bozuk lambayı çıkarın, (Bkz. Şek.4 ve 5).
Replace with an original, 12V, 45w, Gu5.3 base, 8° beam angle, coloured lamp. Lambaları tedarikçinizden satın alın
8. Yeni lambanın iki pimini dikkatli bir şekilde lamba tutucusundaki iki deliğe yerleştirin. İyice iterek yerine oturtun. (Bkz. Şek. 4 ve 5).
9. Hazneyi ve su deposunu takın ve dikkatli bir şekilde çekmeceyi kapatın.
10. Cihazı açın.

Su deposunun doldurulması.

Su tankı boşaldığında alev ve duman efekti de kapanır ve 2 'bip' sesi duyarsınız. Yeniden dolum için aşağıdaki adımları takip edin:

1. 'A' Anahtarına basın (0) (Bkz. Şek. 2)
2. Çekmeceyi yerinden dikkatlice ve mümkün olduğunca çok çekin. (Bkz. Şek. 3)
3. Su deposunu yukarı ve dışarı doğru kaldırarak çıkarın.
4. Su deposunu lavaboya yerleştirin ve kapağını çıkarın, açmak için saat yönünün tersine çevirin. (Bkz. Şek. 6)
5. Depoyu, sadece **maksimum sertlik derecesi 10 dH olan musluk suyu ile doldurun**. Bu, alev ve duman üreten ünitenin ömrünü uzatmak için gereklidir. Su sertliğinin daha fazla olduğu durumlarda su filtreden geçirilmelidir (örneğin bir Maxtra filtresiyle). **Kireç çözücü kullanmayın**.
6. Kapağı geri takın ve gereğinden **fazla sıkmayın**.
7. Depo kapağı aşağı bakacak ve deponun düz tarafı dışarı bakacak şekilde depoyu hazneye geri takın.
8. Çekmeceyi nazik bir şekilde olabildiğince geri itin.
9. 'A' Anahtarını 'AÇIK' (I) konumuna getirin (Bkz. Şek. 2)
10. 'B' Anahtarına 'bir kez basarak alev efekti açabilirsiniz. (Bkz. manuel kontrol bölümü ve Şek. 2)

Temizlik.**UYARI – ISITICIYI TEMİZLEMEDEN ÖNCE HER ZAMAN GÜÇ KAYNAĞINDAN ÇEKİN.**

Aşağıdaki parçaların, özellikle sertlik derecesi yüksek su olan bölgelerde 1 haftada bir temizlenmesini öneririz:-

Su Deposu, Hazne ve Conta, Hazne kapağı, Depo kapağı ve contası, Hava filtresi.

Genel temizlik için yumuşak, temiz bir toz bezi kullanın. Asla aşındırıcı temizleyiciler kullanmayın. Herhangi bir toz veya tüy birikimini önlemek için, süpürgeyi yumuşak fırça başlığı ile fan ısıtıcısının çıkış ızgarası temizlenmelidir.

Su deposu

1. Daha önce açıklandığı şekilde su tankını sökün, lavaboya koyun ve suyu boşaltın.
2. Verilen fırçayı kullanarak dış oluktaki kauçuk halkaya ve ortadaki kauçuk contaya özel bir özen göstermek suretiyle kapağın iç yüzeylerini nazikçe ovalayın.
3. Depoya az bir miktar yıkama sıvısı koyun, kapağı tekrar takın ve iyice çalkalayın; yıkama sıvısının tüm kalıntıları temizlenene kadar iyice durulayın.
4. Sadece filtrelenmiş musluk suyu ile doldurun, kapağı yerine takın, aşırı sıkmayın.

Hazne

1. 'A' Anahtarını 'KAPALI' (0) position
2. Çekmeceyi yavaşça mümkün olduğu kadar dışarı çekin. (Bkz. Şek. 3)
3. Su deposunu yukarı doğru kaldırarak çıkarın.
4. Haznenin sol tarafında bulunan elektrik konektörünü, önce iki tespit vidasını gevşeterek ve ardından konektörü yavaşça çekerek çıkarın. (Bkz. Şek. 8)
5. Alt haznenin kilitleme tırnaklarını 90° döndürerek açın, böylece hazne yerinden tamamen çıkarılabilir. (Bkz. Şek. 9)
6. Hazne tertibatını yavaşça yukarı doğru kaldırın, suyun dökülmemesi için düz tutmaya dikkat edin. Tertibatı lavaboya yerleştirin. (Bkz. Şek. 10)
7. Üst hazne kilitleme tırnaklarını 90° döndürerek serbest bırakın ve ardından hazne kapağını kaldırın. (Bkz. Şek. 11)
8. Sıvının haznedan dışarı akması için gösterilen şekilde dikkatlice eğin. (Bkz. Şek. 12)


9. Haznenin içine az miktarda deterjan koyun ve verilen fırçayı kullanarak, üstteki oluklu yüzeyde bulunan metal disk ve kauçuk conta da dahil olmak üzere tüm yüzeyleri nazikçe temizleyin. **Kauçuk contaları çıkarmayın.** (Bkz. Şek. 13 ve 14)
10. Hazneyi temizledikten sonra su ile iyice durulayın.
11. Hazne kapağının çıkış yüzeyini fırça ile temizleyin ve suyla iyice yıkayın. (Bkz. Şek. 15 ve 16)
12. Tekrar monte etmek için yukarıdaki adımları tersten uygulayın.

Hava filtresi.

1. 'A' Anahtarını 'KAPALI' (0) konumuna getirin (Bkz. Şek. 2)
2. Çekmeceyi yavaşça mümkün olduğu kadar dışarı çekin. (Bkz. Şek. 3)
3. Depoyu çıkarın ve kapağı yukarı bakacak şekilde bir lavabo içine yerleştirin.
4. Hava filtresinin plastik tutacağına yavaşça yukarı doğru kaydırın. (Bkz. Şek. 17)
5. Filtre kombinasyonunu plastik tutacaktan çıkarın.
6. Lavabodaki suyla nazikçe durulayın ve geri takmadan önce bir kumaş havlu ile kurulayın.
7. Kalın siyah filtrenin plastik tutacakla temas ettiğinden emin olduktan sonra, filtre kombinasyonunu değiştirin. (Bkz. Şek. 18)
8. Depoyu yerine takın.
9. Çekmeceyi tamamen kapatın.
10. 'A' Anahtarını 'AÇIK' (I) konumuna getirin (Bkz. Şek. 2)

Ek Bilgiler

Geri Dönüşüm.

 Avrupa Topluluğu dahilinde satılan elektrikli ürünler için. Elektrikli ürünler kullanım ömürlerinin sonunda evsel atıklarla birlikte bertaraf edilmemelidir. Lütfen ilgili tesislerin bulunduğu yerlerde geri dönüştürün. Ülkenizde geri dönüşümle ilgili tavsiye almak için, Yerel Yetkili Makamınız veya satıcınız ile görüşün.

Satış Sonrası Hizmeti.

Ürününüz, satın alındığı tarihten itibaren iki yıl garantilidir. Bu süre zarfında, bu talimatlara uygun olarak kurulmuş ve işletilmiş olması koşuluyla, bu ürünü ücretsiz olarak onaracağımızı ya da değiştireceğimizi taahhüt ediyoruz (lambalar hariç ve stok durumuna bağlı olmak üzere). Bu garanti altındaki haklarınız, bu garantiden etkilenmeyen yasal haklarınıza aittir.

Sorun Giderme

| Belirti | Nedeni | Düzeltilici Önlem |
|---|---|--|
| Alev efekti başlamıyor. | <p>Fiş prize takılı değil.</p> <p>A Anahtarı 'AÇIK' (I) konumda, ancak B Mod Anahtarına basılmamış. (Bkz. Şek. 2)</p> <p>Düşük su seviyesi.</p> <p>Düşük gerilim konektörü düzgün bağlanmamış. (Bkz. Şek. 8)</p> | <p>Fişin duvar prizine doğru şekilde takılı olup olmadığını kontrol edin.</p> <p>Alev efekti için B Anahtarına bir kez basın. (Bkz. Şek. 2)</p> <p>Su deposunun dolu olup olmadığını ve haznede su bulunup bulunmadığını kontrol edin.</p> <p>Konektörün doğru şekilde takılıp takılmadığını kontrol edin. (Bkz. Şek. 8)</p> |
| Alev efekti çok düşük. | <p>Alev efekti çok düşük ayarlanmış.</p> <p>Çekmece birkaç kere açılıp kapandığından, su tankı birkaç kere söküldüğünden veya şömine taşındığından ötürü haznedeki su çok fazla olabilir.</p> <p>Hazne tabanındaki Metal Disk kirli olabilir (bkz. Şekil 13).</p> | <p>Uzaktan kumandayı kullanarak alev seviyesini artırın. (Ürünün Çalıştırılması bölümüne bakınız)</p> <p>Haznedeki su seviyesi 40 mm'den fazlaysa hazne sökülmeli ve lavaboda boşaltılmalıdır.</p> <p>Metal Diski verilen yumuşak fırça ile temizleyin. (Bkz. Şekil 13) Adım adım takip edeceğiniz prosedür için 'Bakım' bölümüne bakınız.</p> |
| Ünite kullanıldığında hoş olmayan bir koku çıkıyor. | Kirli veya bayat su. | <p>Üniteyi bakım bölümünde açıklanan şekilde temizleyin.</p> <p>Bu cihazda, yalnızca maksimum sertlik seviyesi 10 dH olan musluk suyu kullanın.</p> |
| Alev efekti çok fazla duman çıkarıyor. | Alev efekti ayarı çok yüksek. | Alev efekti Döner Düğmesi 'D'yi minimum ayara getirin ve her defasında yaklaşık ¼ döndürerek yavaşça artırın. Yükseltmeden önce, alev üreticisinin ayarlama yapmasına zaman tanıyın. (Bkz. Şek. 2) |
| Ana lambalar çalışmıyor ve hiç alev veya duman yok. | Tankta su yok. | <p>Şu bölümdeki talimatları izleyin: Bakım, 'Su deposunun doldurulması'.</p> <p>Fişin duvar prizine doğru şekilde takılı olup olmadığını kontrol edin.</p> <p>'A' Düğmesi Şek. 2 'ON' (Açık) (I) konumdadır.</p> <p>Alev efekti için yalnızca bir bip sesi duyana kadar 'B' Düğmesine Şek. 2 basın.</p> |
| Camda yoğuşma var. | <p>Buhar ayarı çok yüksek.</p> <p>Ürün çalışmaya başladığında cam soğuk olabilir.</p> | <p>Döner düğme 'D'yi aşağı çevirerek buhar yoğunluğunu azaltın</p> <p>Buhar yoğunluğunu düşük olarak azaltın ve 'C' anahtarını yüksek hıza çevirin. Cam temizlenene kadar ürünü bu ayarda çalıştırın ve ardından tercih ettiğiniz ayara geri dönün.</p> <p>Yoğuşmanın tekrar oluşması durumunda bu işlemi tekrarlayın.</p> |

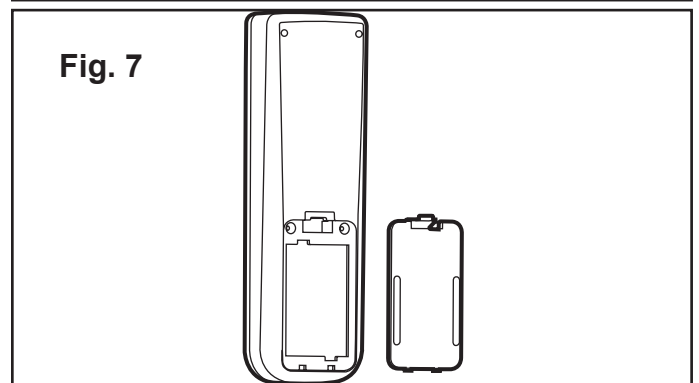
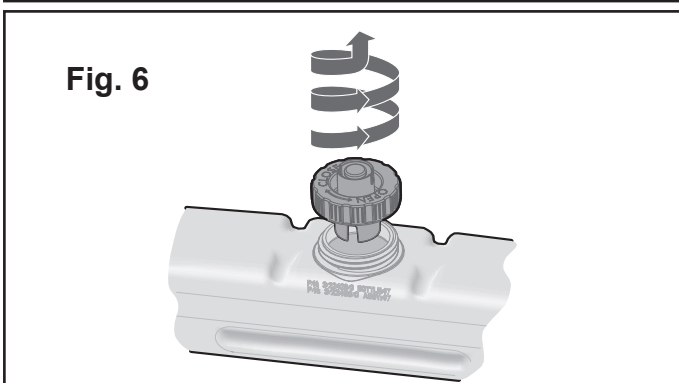
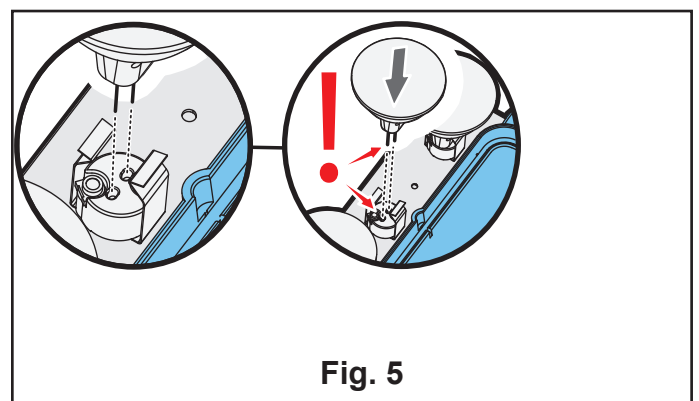
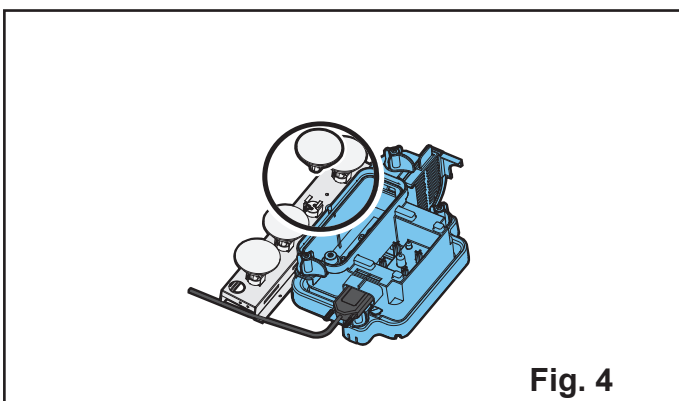
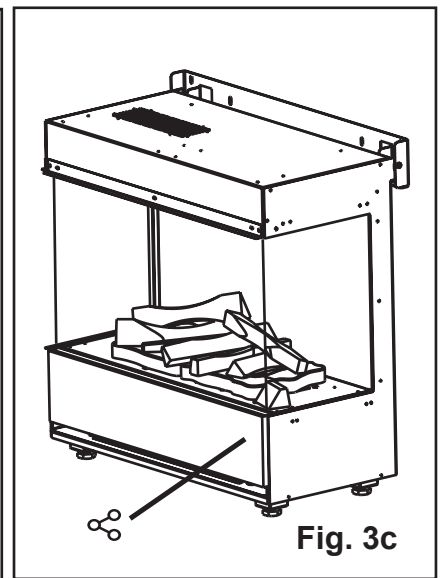
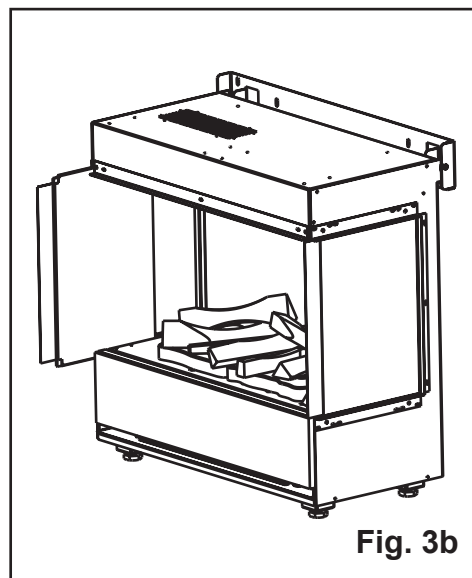
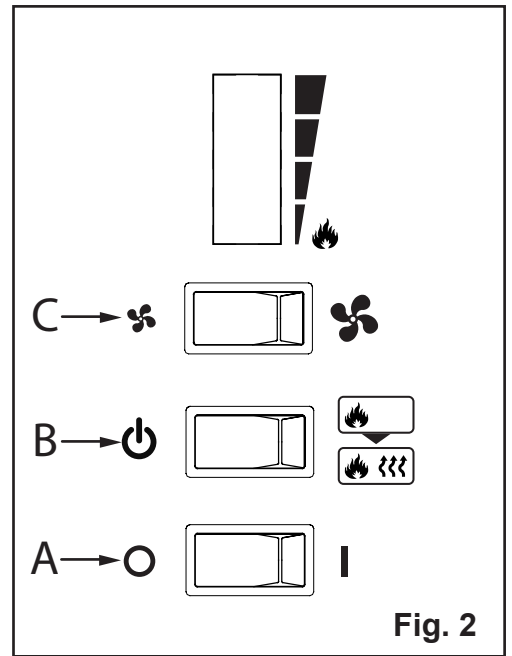
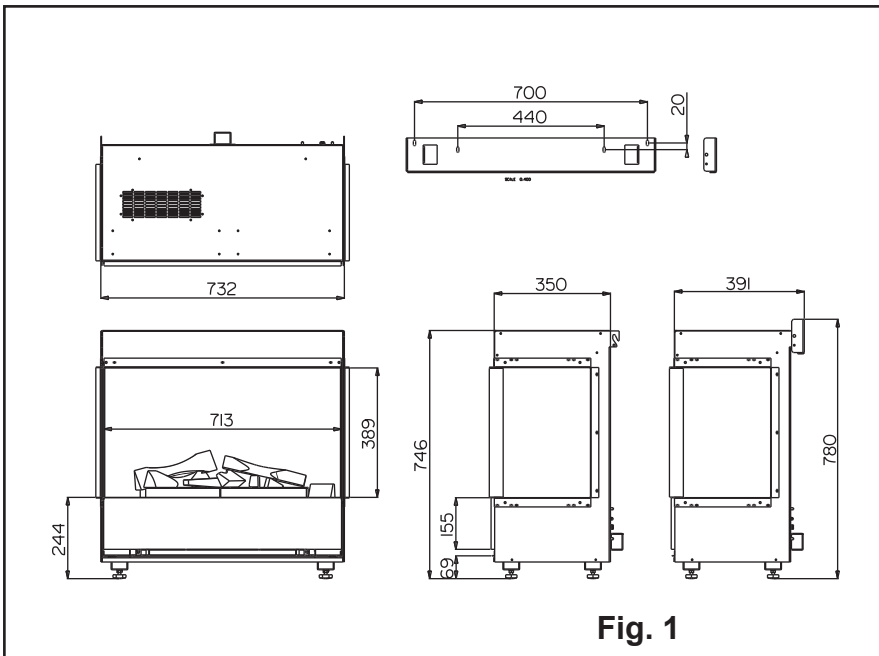


Fig. 8

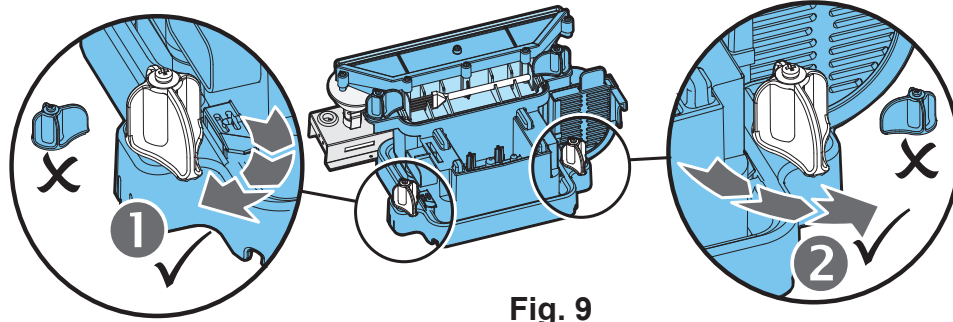
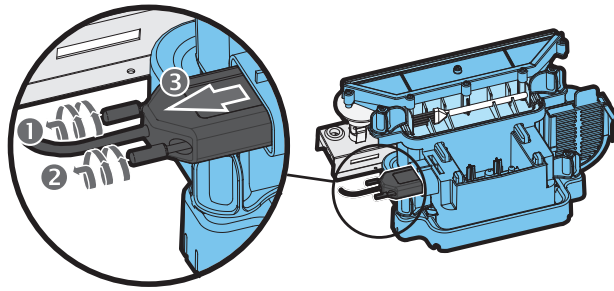


Fig. 9

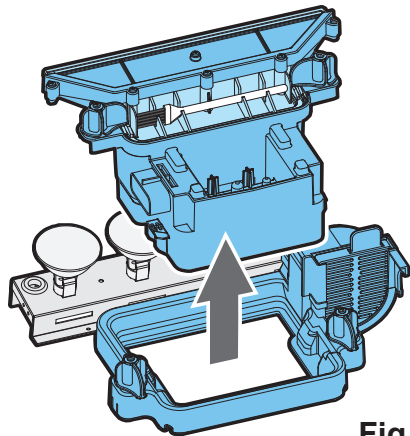


Fig. 10

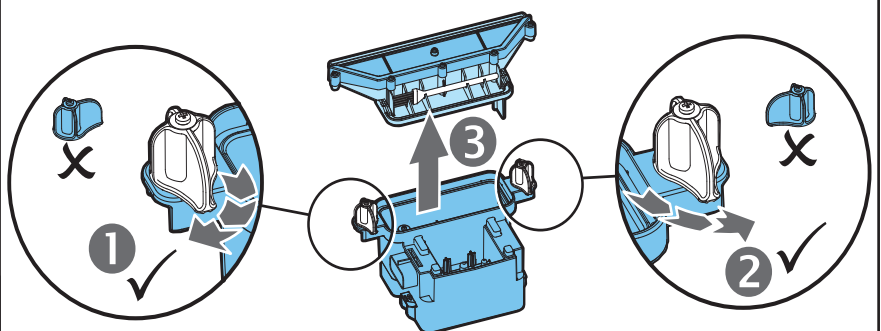


Fig. 11

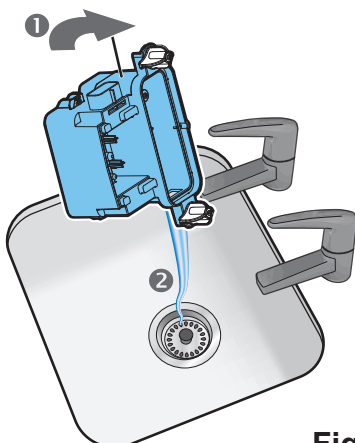


Fig. 12

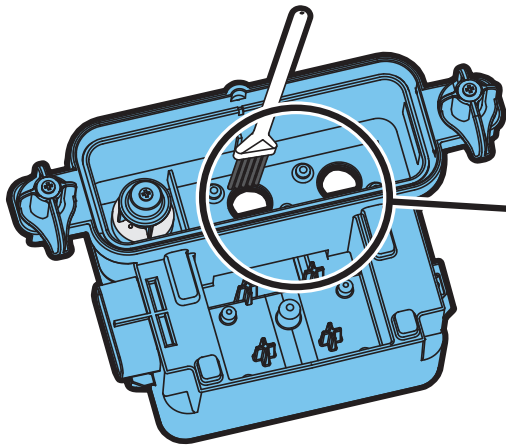


Fig. 13

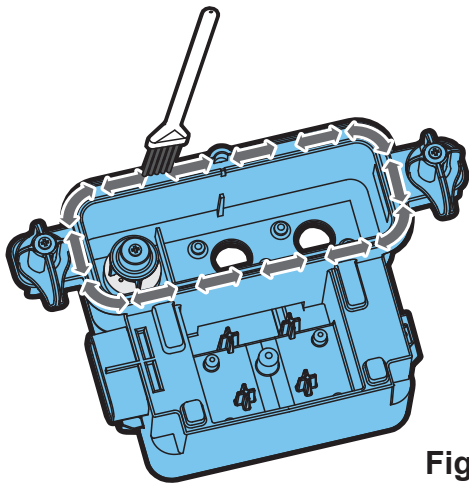
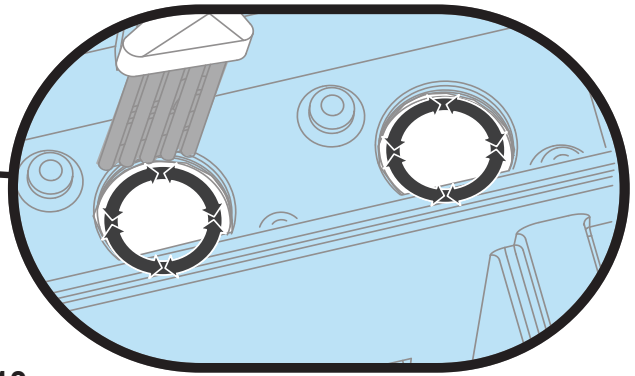


Fig. 14

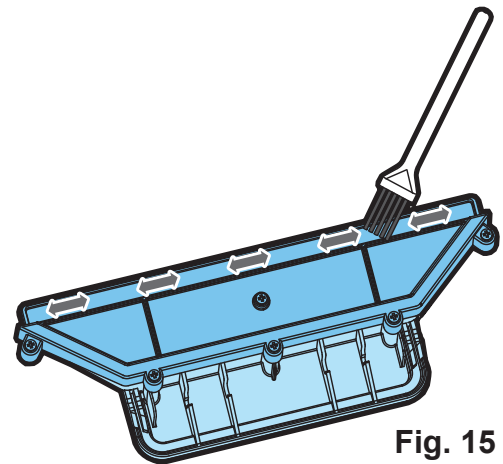


Fig. 15

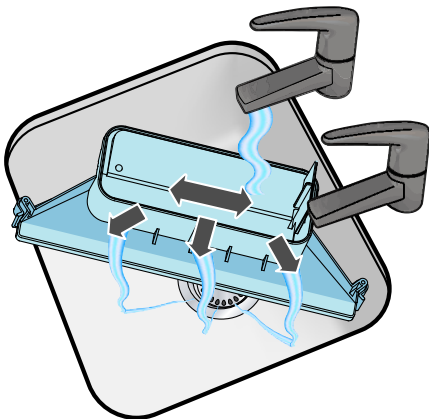


Fig. 16

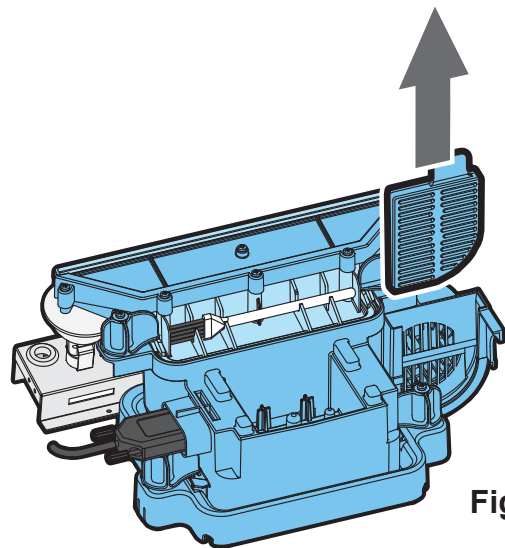


Fig. 17

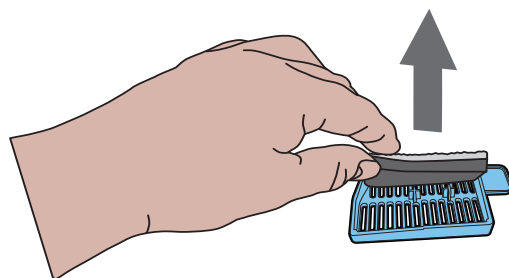


Fig. 18

