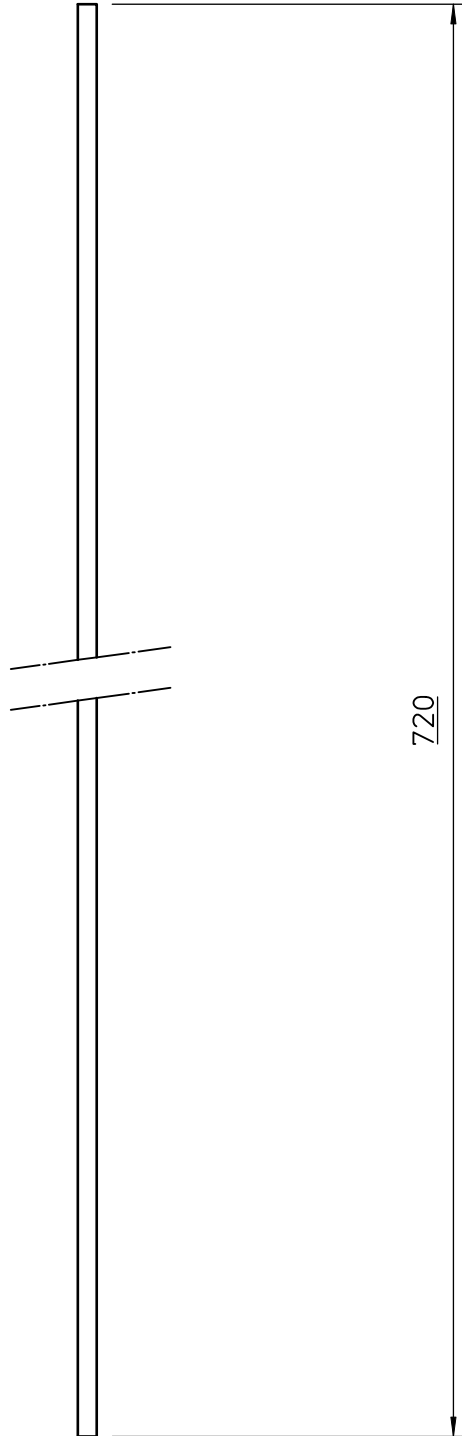


∅6



			Tol. ± 0,5 when not specified	Dimensions tolerances according to NEN-ISO 406	Geometric tolerances according to NEN-ISO 1101	projection
			Note:			Scale: 1 : 2,5
			Part.No.			Name: R.de J.
			11335901			Checked:
			Description:			Date: 30-08-2002
No.	Modific. Date:	Modification:	scharnierstang Spectra nova			Material blank rondstaal 6mm
						<b>A4</b>