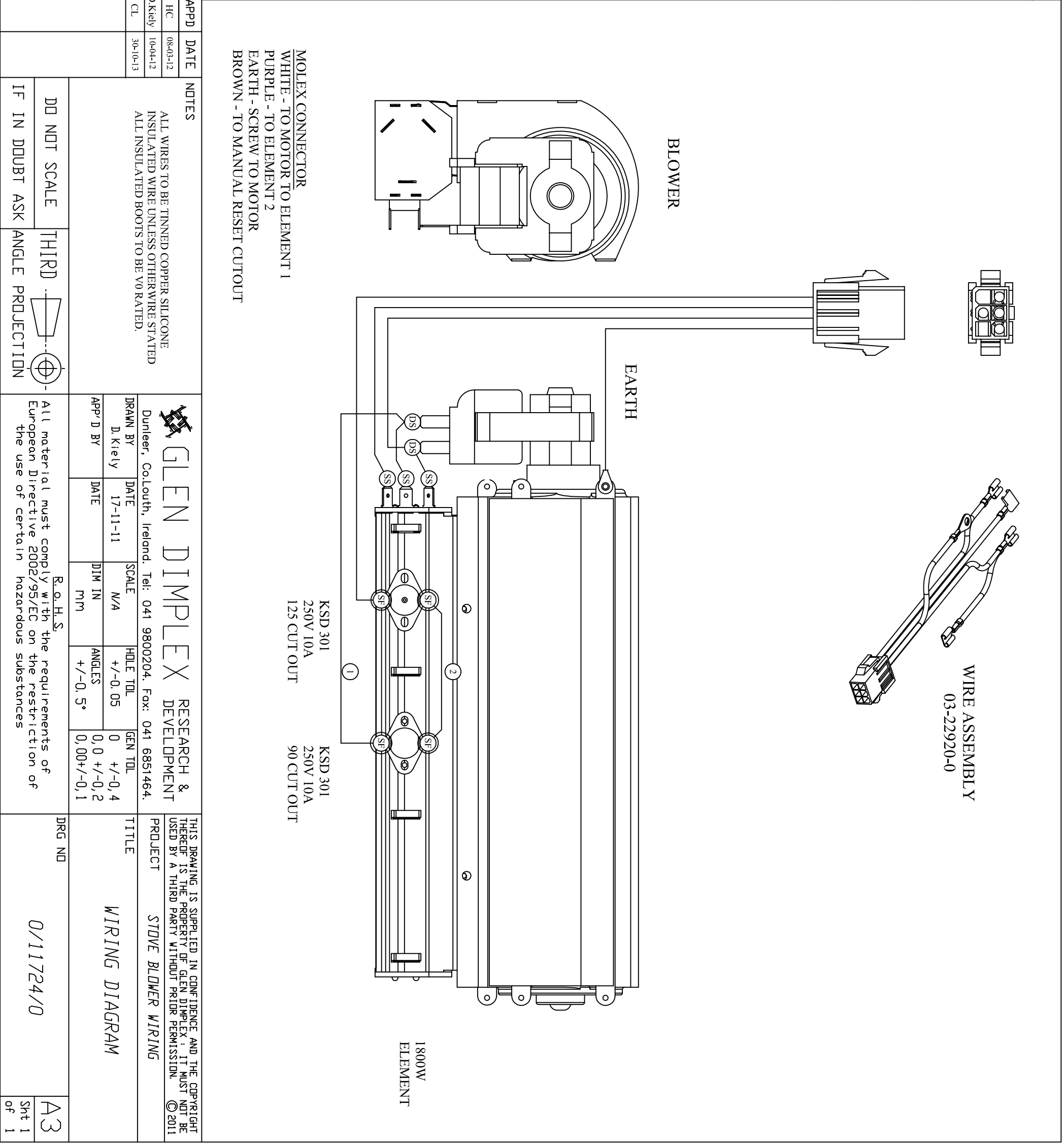


PART No.	DESCRIPTION	ASSY No.
2/61881/0	FROM KSD 90DEG CUT OUT TO BLOWER TO ELEMENT. 220mm BROWN (1.0mm ²) S/F + BOOT 100mm BROWN (1.0mm ²) D/S	1
2/61915/0	FROM KSD 125 DEG CUT OUT TO KSD 90 DEG CUT OUT. 100mm BROWN (1.0mm ²) S/F + BOOT	2



MOLEX CONNECTOR
 WHITE - TO MOTOR TO ELEMENT 1
 PURPLE - TO ELEMENT 2
 EARTH - SCREW TO MOTOR
 BROWN - TO MANUAL RESET CUTOFF

NOTES
 ALL WIRES TO BE TINNED COPPER SILICONE
 INSULATED WIRE UNLESS OTHERWISE STATED
 ALL INSULATED BOOTS TO BE V0 RATED.

DD NOT SCALE
 IF IN DOUBT ASK
 THIRD ANGLE PROJECTION

GLLEN DIMPLEX	RESEARCH & DEVELOPMENT
Dunleer, Co.Louth, Ireland. Tel: 041 9800204. Fax: 041 6851464.	
DRAWN BY D. Kiely	DATE 17-11-11
SCALE N/A	HOLE TOL +/-0.05
APP'D BY	DATE
DIM IN mm	ANGLES +/-0.5°
	GEN TOL 0 +/-0.4 0,0 +/-0.2 0,00+/-0,1

All material must comply with the requirements of European Directive 2002/95/EC on the restriction of the use of certain hazardous substances

THIS DRAWING IS SUPPLIED IN CONFIDENCE AND THE COPYRIGHT THEREOF IS THE PROPERTY OF GLEN DIMPLEX. IT MUST NOT BE USED BY A THIRD PARTY WITHOUT PRIOR PERMISSION. © 2011

PROJECT STOVE BLOWER WIRING
 TITLE WIRING DIAGRAM

DRG NO 0/11724/0
 A3
 Sht 1 of 1